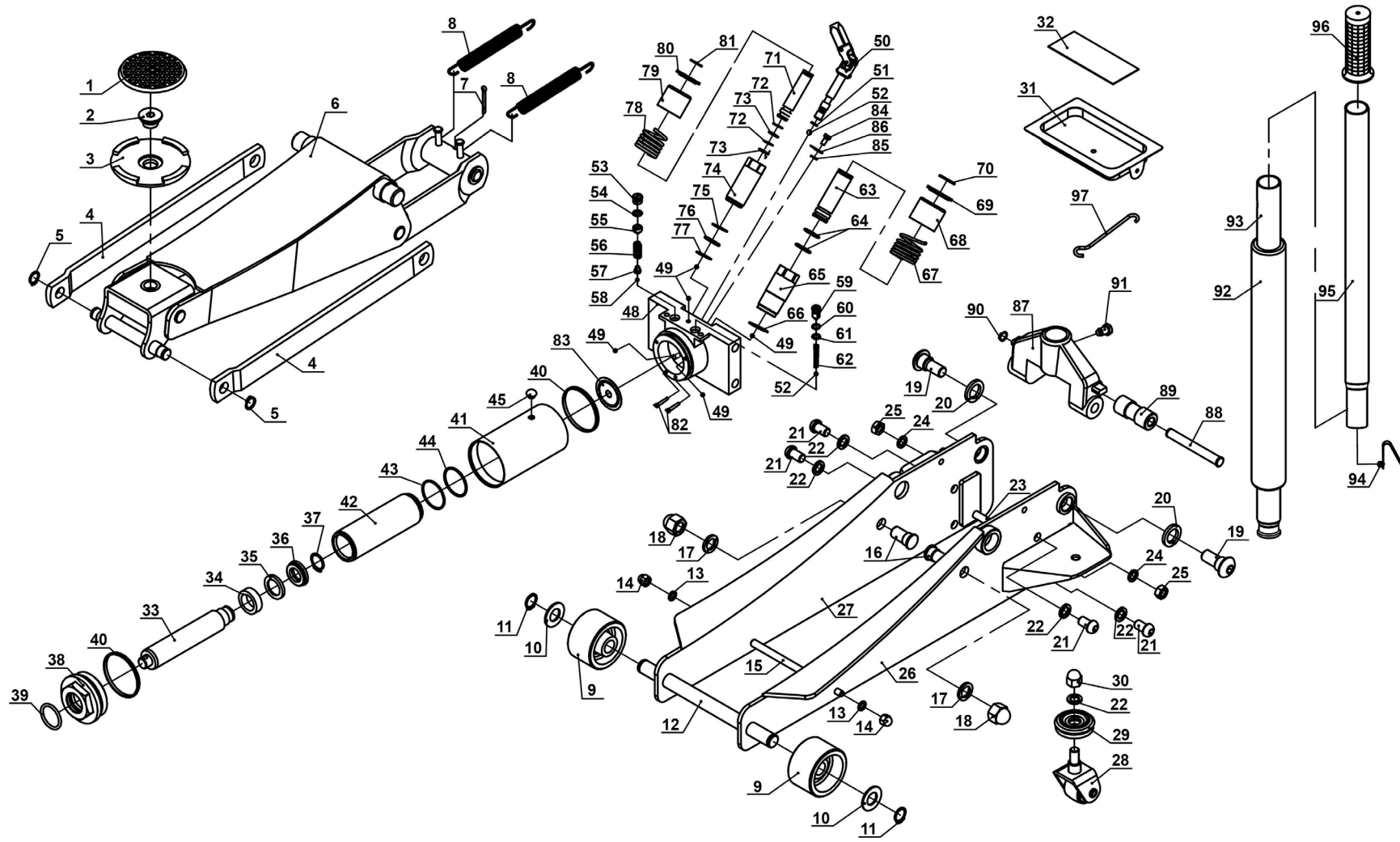




Parts Information: Premier Low Profile Trolley Jack with Rocket Lift 3 Tonne Model No: 3040AB.V1, 3040AG.V2, 3040AO.V2, 3040AY.V2



NOTE: It is our policy to continually improve products and as such we reserve the right to alter data, specifications and component parts without prior notice.

There may be alternative versions of this product, please contact us should you require this information.

IMPORTANT: No liability is accepted for incorrect use of product. Spare parts must be fitted by a competent person

WARRANTY: Guarantee is 12 months from purchase date, proof of which will be required for any claim.



Parts Information:
**Premier Low Profile Trolley Jack with
 Rocket Lift 3 Tonne**
**Model No: 3040AB.V1, 3040AG.V2,
 3040AO.V2, 3040AY.V2**

Item	Part No.	Description	Qty
1	JP17	Safety Rubber Jack Pad - Type B	1
2	4040A.02	Saddle Pin	1
3	4040A.03	Saddle, White Serrated (F) Ø 109mm	1
4	4040A.04	Radius Link	2
5	4040A.05	Snap Ring	2
6	3040AB.06	Lifting Arm Assembly 'Black' (3040AB Only)	1
6	3040AG.06	Lifting Arm Assembly 'Green' (3040AG Only)	1
6	3040AO.06	Lifting Arm Assembly 'Orange' (3040AO Only)	1
6	3040AR.06	Lifting Arm Assembly 'Red' (3040AR Only)	1
6	3040AY.06	Lifting Arm Assembly 'Yellow' (3040AY Only)	1
7	4040A.07	Split Pin	1
8	4040A.08	Return Spring Dia 17mm	2
9	3040AB.09	Wheel, Front, Fixed W/Fixings (D:72 W:43 B:18) (3040AB only)	2
9	3040AG.09	Wheel, Front, Fixed W/Fixings (D:72 W:43 B:18) (3040AG only)	2
9	3040AO.09	Wheel, Front, Fixed W/Fixings (D:72 W:43 B:18) (3040AO only)	2
9	3040AR.09	Wheel, Front, Fixed W/Fixings (D:72 W:43 B:18) (3040AR only)	2
9	3040AY.09	Wheel, Front, Fixed W/Fixings (D:72 W:43 B:18) (3040AY only)	2
10	FWM18.S	Flat Washer M18 Zinc	2
11	3015CXD.01	External Circlip 16.3mm Id.	2
12	3040A.12	Front Axle	1
13	3040A.13	Lock Washer	2
14	SN8.SD	Steel Nut M8 Domed Zinc	2
15	3040A.15	Frame Rod	1
16	4040A.15	Radius Link Stud	2
17	4040A.16	Lock Washer	2
18	SN16.SD	Steel Nut M16 Domed Zinc	2
19	3040A.29	Button Head Socket Screw	2
20	SWM20.S	Spring Washer M20 Zinc	2
21	4040A.20	Button Head Socket Screw M12	4
22	SWM12.S	Spring Washer M12 Zinc	6
23	3040A.30	Frame Rod	1
24	4040A.88	Lock Washer	2
25	3040A.27	Nut	2

Item	Part No.	Description	Qty
26	3040A.21	Side Frame, Left	1
27	3040A.22	Side Frame, Right	1
28	4040AB.26	Wheel, Swivel Castor, W/Fixings (D:43 W:28 H:90) (3040AB only)	2
28	4040AG.26	Wheel, Swivel Castor, W/Fixings (D:43 W:28 H:90) (3040AG only)	2
28	4040AO.26	Wheel, Swivel Castor, W/Fixings (D:43 W:28 H:90) (3040AO only)	2
28	4040AR.26	Wheel, Swivel Castor, W/Fixings (D:43 W:28 H:90) (3040AR only)	2
28	4040AY.26	Wheel, Swivel Castor, W/Fixings (D:43 W:28 H:90) (3040AY only)	2
29	4040A.27	Bearing Race Assembly	2
30	SN12.SD	Steel Nut M12 Domed Zinc	2
31	3040A.31	Tool Tray c/w Part 32	1
32	4040A.30	Magnetic Rubber Pad	1
33	3040A.33	Ram Plunger Assembly	1
34	3040A.34	Bushing Cover	1
35	3040A.35	Back-Up Washer	1
36	3040A.36	U-Cup Seal	1
37	3040A.37	Retaining Ring	1
38	3040A.38	Top Nut	1
39	AK45IDX.06	O-Ring, (Ex: 38.41 In: 31.35 Cs: 3.53)	1
40	3040A.40	Sealing Ring	2
41	3040A.41	Reservoir	1
42	3040A.42	Cylinder	1
43	3040A.43	Back-Up Washer	1
44	SA792.V3-22	O-Ring, (Ex: 47.76 In: 42.52 Cs: 2.62)	1
45	4040A.43	Oil Filler Plug	1
46	3000CXD.V6-48	Throttle Valve	1
47	3000CXD.V6-49	Spring	1
48	3040A.46	Base Plate	1
49	4040A.45	Steel Ball	5
50	3040A.48N	Release Valve Assembly (12mm)	1
51	GSA08.09-4	O-Ring, (Ex: 11.21 In: 7.65 Cs: 1.78)	1
52	SB-6.1	Steel Ball 6.1mm	2
53	4040A.50	Guide Screw	1
54	4040A.51	O-Ring, (Ex: 12.94 In: 8.63 Cs: 2.16)	1
55	4040A.52	Safety Valve Screw	1
56	4040A.53	Valve Spring Dia 10.3mm	1
57	4040A.54	Valve	1

NOTE: It is our policy to continually improve products and as such we reserve the right to alter data, specifications and component parts without prior notice. There may be alternative versions of this product, please contact us should you require this information.

IMPORTANT: No liability is accepted for incorrect use of product. Spare parts must be fitted by a competent person

WARRANTY: Guarantee is 12 months from purchase date, proof of which will be required for any claim.

Sealey Group, Kempson Way, Suffolk Business Park, Bury St Edmunds, Suffolk. IP32 7AR



01284 757500



sales@sealey.co.uk



www.sealey.co.uk



TM

Parts Information:
**Premier Low Profile Trolley Jack with
 Rocket Lift 3 Tonne**
**Model No: 3040AB.V1, 3040AG.V2,
 3040AO.V2, 3040AY.V2**

Item	Part No.	Description	Qty
58	4040A.55	Steel Ball	1
59	4040A.56	Bolt	1
60	4040A.57	Back-Up Washer	1
61	GSA08.09-4	O-Ring, (Ex: 11.21 In: 7.65 Cs: 1.78)	1
62	4040A.59	Spring Dia 8mm	1
63	4040A.60	Pump Piston (Large)	1
64	SA29.V3-41	O-Ring, (Ex: 22.36 In: 17.12 Cs: 2.62)	2
65	4040A.62	Pump Cylinder (Large)	1
66	4040A.63	Washer (Pump Cylinder 'Large')	1
67	3040A.65	Spring Dia 37.3mm	1
68	4040A.65	Pump Core (Large)	1
69	3040A.67	Spring Cover Plate	1
70	4040A.67	Snap Ring	1
71	4040A.68	Pump Piston (Small)	1
72	4040A.69	Back-Up Washer	2
73	SA695.13	O-Ring, (Ex: 16.01 In: 10.77 Cs: 2.62)	2
74	SQ0215	Pump 'A'	1
75	4040A.72	Back-Up Washer	1
76	4040A.73	O-Ring, (Ex: 25.62 In: 21.43 Cs: 2.55)	1
77	4040A.74	Washer (Pump Cylinder 'Small')	1
78	4040A.75	Spring (Pump Core Small) Dia 28.6mm	1
79	4040A.76	Pump Core (Small)	1

Item	Part No.	Description	Qty
80	4040A.77	Spring Cover Plate (Small)	1
81	4040A.78	Snap Ring	1
82	4040A.79	Strainer	2
83	3040A.81	Washer	1
84	SQ0002	Bolt	1
85	SWM6.S	Spring Washer M6 Zinc	1
86	3040A.84	Washer	1
87	4040A.83N	Handle Socket	1
88	4040A.84	Handle Socket Pin	1
89	4040A.85	Handle Socket Roller	1
90	4040A.86	Snap Ring	1
91	4040A.87N	Handle Socket Bolt	1
92	4040A.92	Handle Sleeve	1
93	4040A.89N	Lower Handle (c/w Part 92)	1
94	2001LERE.V2-92	Handle Lock Button	1
95	4040A.91N	Upper Handle (c/w Part 93)	1
96	4040A.93	Handle Grip	1
97	4040A.94N	Hook	1
--	3040A.HU	Hydraulic Unit Assembly	1
--	3040A.RK	Repair Kit	1

NOTE: It is our policy to continually improve products and as such we reserve the right to alter data, specifications and component parts without prior notice. There may be alternative versions of this product, please contact us should you require this information.

IMPORTANT: No liability is accepted for incorrect use of product. Spare parts must be fitted by a competent person

WARRANTY: Guarantee is 12 months from purchase date, proof of which will be required for any claim.

Sealey Group, Kempson Way, Suffolk Business Park, Bury St Edmunds, Suffolk. IP32 7AR



01284 757500



sales@sealey.co.uk



www.sealey.co.uk