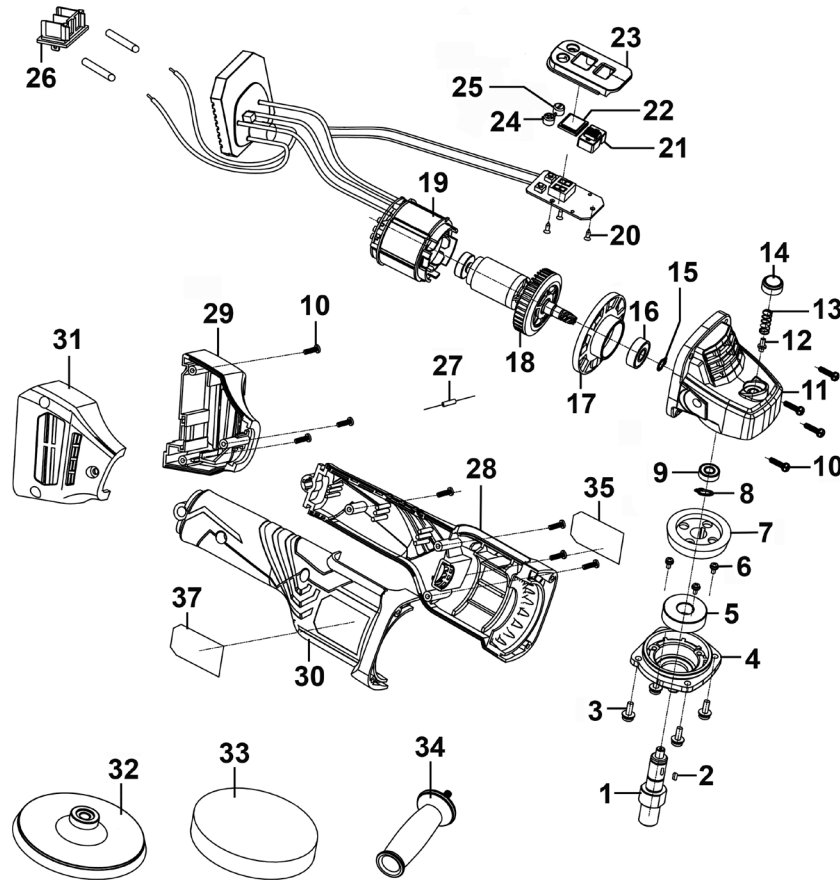


Parts Information:
Cordless Rotary Polisher Ø150mm 20V
SV20 Series - Body Only
Model No: CP20VRP



Item	Part No.	Description
1	CP20VRP.01	Output Shaft
2	CP20VRP.02	Woodruff Key (3 x 3.5 x 10)
3	SFS414.S	Hex Head Flange Bolt M4 x 14mm
4	CP20VRP.04	Front Cover
5	B/6201-2RS	Bearing 6201-2RS
6	DAS150TV3-36	Rd Head S/T Screw M4 x 12mm Black
7	CP20VRP.07	Gear (Large)
8	CP20VOP.19	Shaft Circlip 12mm
9	B/696ZZ	Bearing 696ZZ
10	ER1700PV2-53	Rd Head S/T Screw M4 x 16mm Black
11	CP20VOP.24	Gear Case
12	CP20VOP.25	Self-Lock Button Pin
13	CP20VOP.26	Self-Lock Button Spring
14	CP20VOP.27	Self-Lock Button
15	CP20VRP.15	Shaft Retaining Ring
16	B/608-RS	Bearing 608-RS
17	CP20VRP.17	Middle Cover
18	CP20VRP.18	Rotor

Item	Part No.	Description
19	CP20VRP.19	Stator
20	ER1700PV2-49	Rd Head S/T Screw M3 x 8mm Black
21	CP20VOP.32	Switch Button
22	CP20VOP.33	PCB Transparent Cover
23	CP20VOP.34	PCB
24	CP20VOP.35	Switch Button Positive
25	CP20VOP.36	Switch Button Negative
26	CP20VOP.37	Battery Connection Plate
27	CP20VOP.38	Resistor
28	CP20VOP.39	Housing, Right Side
29	CP20VOP.40	Housing, Right Side (Lower)
30	CP20VOP.41	Housing, Left Side
31	CP20VOP.42	Housing, Left Side (Lower)
32	CP20VRP.32	Backing Pad (Velcro)
33	POLISHING MOP	***Refer to Catalogue for Choices***
34	CP20VRP.34	Side Handle
35	CP20VRP.35	Label (for Right Side Housing)
37	CP20VRP.37	Label (for Left Side Housing)

NOTE: It is our policy to continually improve products and as such we reserve the right to alter data, specifications and component parts without prior notice. There may be alternative versions of this product, please contact us should you require this information.

IMPORTANT: No liability is accepted for incorrect use of product. Spare parts must be fitted by a competent person

WARRANTY: Guarantee is 12 months from purchase date, proof of which will be required for any claim.