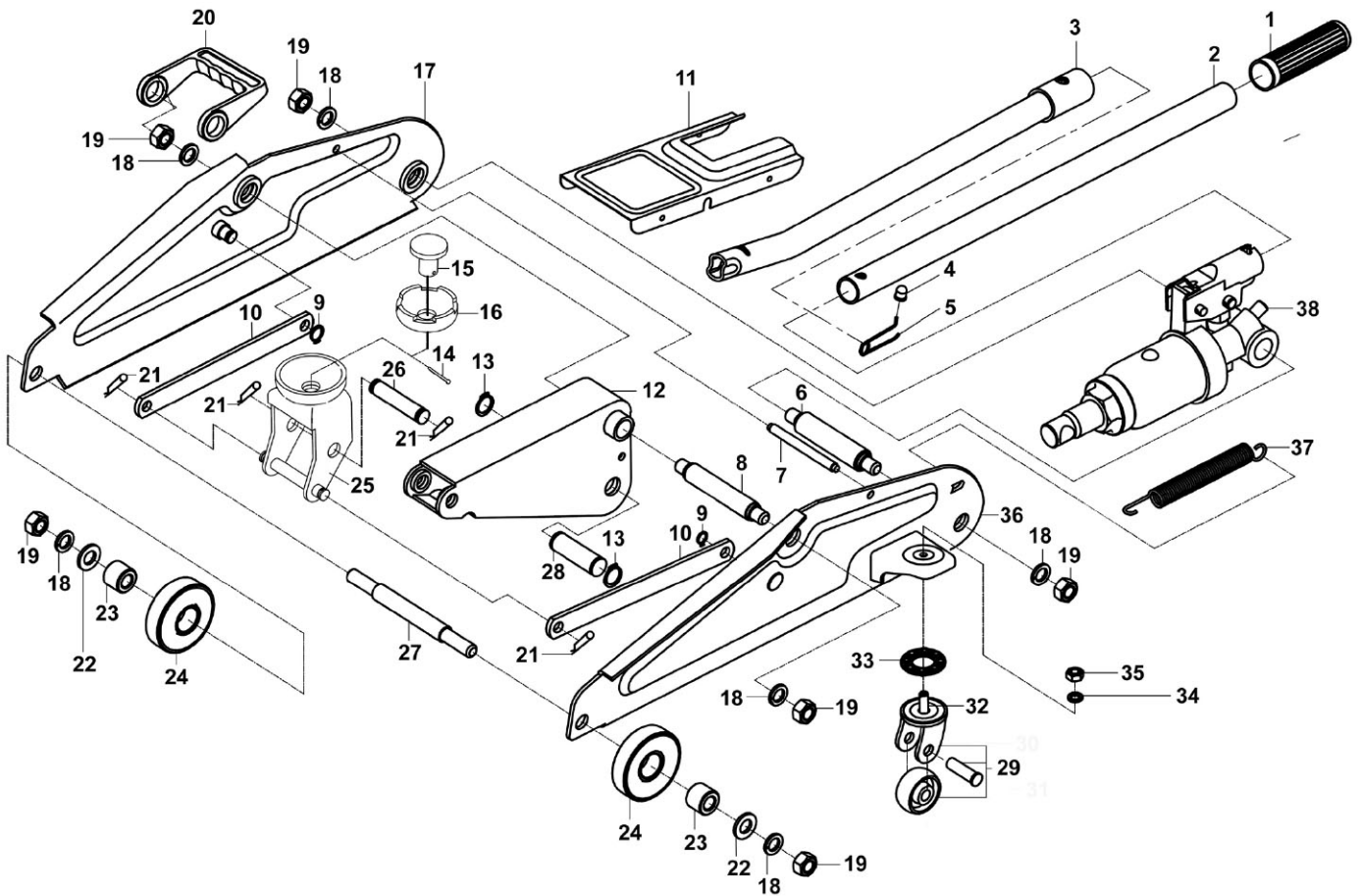


Parts Information:
Trolley Jack 2 Tonne Short Chassis with Storage Case
Model No: 1100CXD.V5



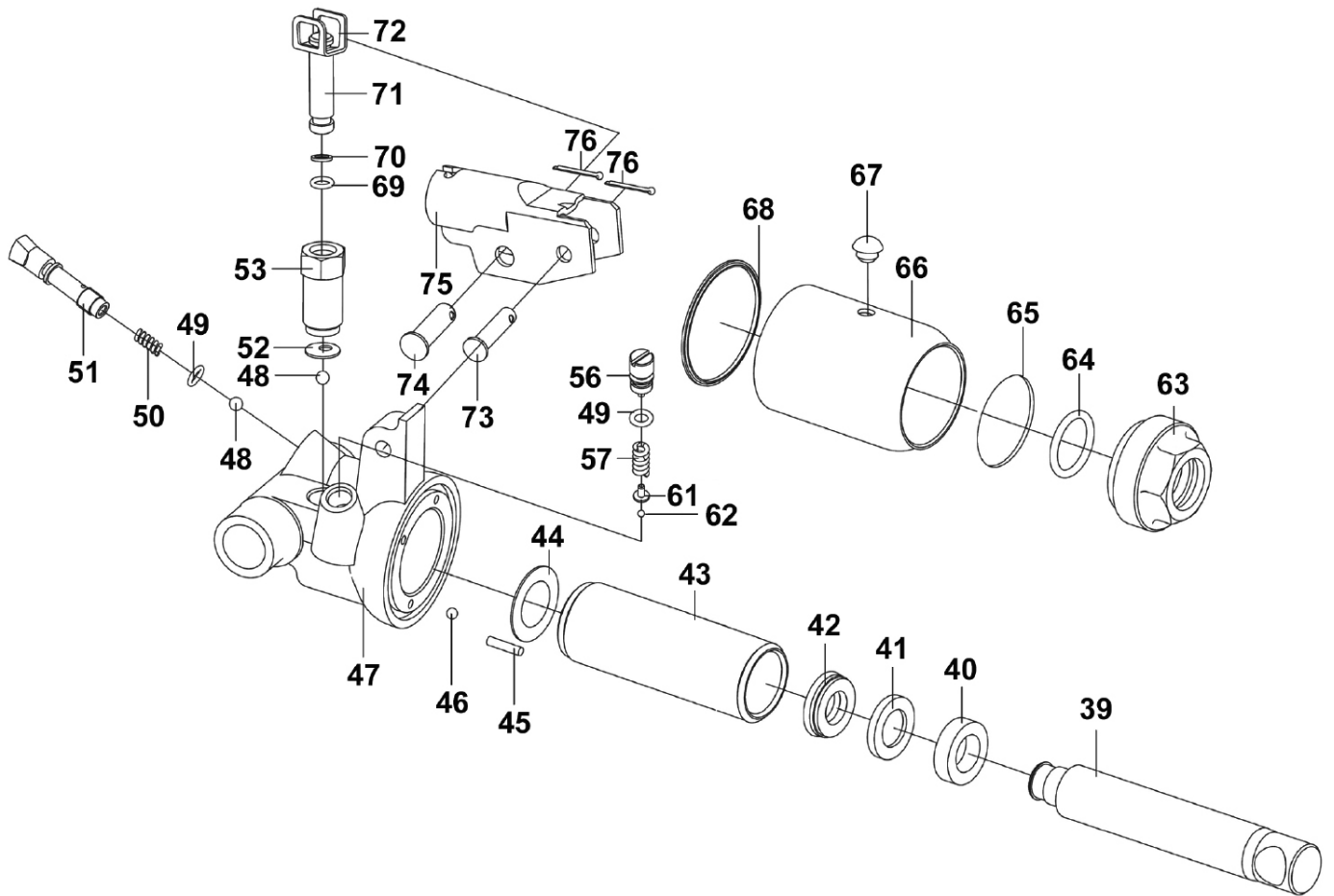
Item	Part No.	Description	Qty
1	1100CXD.V5-01	Handle Grip	1
2	1100CXD.V5-02	Upper Handle c/w Grip	1
3	1100CXD.V5-03	Lower Handle	1
4	1100CXD.V5-04	Locating Pin	1
5	1100CXD.V5-05	Retaining Spring	1
6	1100CXD.V5-06	Rear Axle	1
7	1100CXD.V5-07	Spindle Side Member	1
8	1100CXD.V5-08	Support Shaft	1
9	1100CXD.V5-09	Retaining Ring 13mm	2
10	1100CXD.V5-10	Linking Rod	2
11	1100CXD.V5-11	Cover Plate	1
12	1100CXD.V5-12	Lifting Arm Assembly	1
13	1100CXD.V5-13	Retaining Ring 17mm	2
14	1100CXD.V5-14	Pin 2 x 20	1
15	1100CXD.V5-15	Saddle Pin	1
16	1100CXD.V5-16	Saddle, Black Serrated Cup (F) Ø 50mm	1
17	1100CXD.V5-17	Side Frame, R/H	1
18	FWM12.S	Flat Washer M12 Zinc	6

Item	Part No.	Description	Qty
19	SN12.S	Steel Nut M12 Zinc	6
20	1100CXD.V5-20	Carrying Handle	1
21	1100CXD.V5-21	Torsion Spring Pins	4
22	FWM12.S	Flat Washer M12 Zinc	2
23	1100CXD.V5-23	Spacer Front Wheel	2
24	1100CXD.V5-24	Wheel, Front Fixed, (D: 65 W: 18 B: 22)	2
25	1100CXD.V5-25	Bracket Part	1
26	1100CXD.V5-26	Bracket Spindle	1
27	1100CXD.V5-27	Spindle, Front Wheel	1
28	1100CXD.V5-28	Cross Head Pin	1
29	1100CXD.V5-29	Wheel, Swivel Castor, Single Bolt (D: 40 W: 17 B: 8 H: 67)	2
30	1100CXD.V5-30	Bolt M8x22	2
31	1100CXD.V5-31	Steel Ball Bearing Race	2
32	FWM8.S	Flat Washer M8 Zinc	2
33	SN8.S	Steel Nut M8 Zinc	2
34	1100CXD.V5-34	Side Frame, L/H	1
35	1100CXD.V5-35	Returning Spring Dia 15.2mm	1
36	1100CXD.V5-36	Hydraulic Unit Assembly	1
37	1100CXD.V5-37	Hydraulic Unit Assembly	1
38	1100CXD.V5-38	Hydraulic Unit Assembly	1

NOTE: It is our policy to continually improve products and as such we reserve the right to alter data, specifications and component parts without prior notice. There may be alternative versions of this product, please contact us should you require this information.

IMPORTANT: No liability is accepted for incorrect use of product. Spare parts must be fitted by a competent person

WARRANTY: Guarantee is 12 months from purchase date, proof of which will be required for any claim.



Item	Part No.	Description	Qty
39	1100CXD.V5-38.01	Piston Rod	1
40	1100CXD.V5-38.02	Piston Ring	1
41	1100CXD.V5-38.03	Back-up Ring	1
42	1100CXD.V5-38.04	Y-type Gasket Ring	1
43	1100CXD.V5-38.05	Cylinder	1
44	1100CXD.V5-38.06	Steel Washer	1
45	1100CXD.V5-38.07	Filter Oil Tube	1
46	SB-6.0	Steel Ball 6.0mm	1
47	1100CXD.V5-38.09	Cylinder Base	1
48	SB-6.0	Steel Ball 6.0mm	2
49	1100CXD.V5-38.11	O-Ring	2
50	1100CXD.V5-38.12	Slow Spring	1
51	1100CXD.V5-38.13	Release Valve	1
52	1100CXD.V5-38.14	Washer of Pump Body	1
53	1100CXD.V5-38.15	Pump Body	1
56	1100CXD.V5-38.16	Overload Valve Adjusting Rod	1
57	1100CXD.V5-38.17	Safety Valve Spring	1
61	1100CXD.V5-38.18	Spring Base	1

Item	Part No.	Description	Qty
62	SB-4.0	Steel Ball 4.0mm	1
63	1100CXD.V5-38.20	Top Cup	1
64	1100CXD.V5-38.21	O-Ring	1
65	1100CXD.V5-38.22	Upper Sealing Ring of Reservoir	1
66	1100CXD.V5-38.23	Reservoir	1
67	1100CXD.V5-38.24	Oil Filter Plug	1
68	1100CXD.V5-38.25	Back-up Ring of Reservoir	1
69	1100CXD.V5-38.26	O-Ring, (Ex: 12.05 In: 6.81 Cs: 2.62)	1
70	1100CXD.V5-38.27	Nylon Ring	1
71	1100CXD.V5-38.28	Pump Plunger	1
72	1100CXD.V5-38.29	Pump Plunger Pin Base	1
73	1100CXD.V5-38.30	Piston Pin	1
74	1100CXD.V5-38.31	Connector Pin	1
75	1100CXD.V5-38.32	Handle Sleeve	1
76	1100CXD.V5-38.33	Pin 2 x 16	1
--	1100CXD.V5-SC	Storage Case for 1100CXD.V5 (Not Shown)	1

NOTE: It is our policy to continually improve products and as such we reserve the right to alter data, specifications and component parts without prior notice. There may be alternative versions of this product, please contact us should you require this information.

IMPORTANT: No liability is accepted for incorrect use of product. Spare parts must be fitted by a competent person

WARRANTY: Guarantee is 12 months from purchase date, proof of which will be required for any claim.