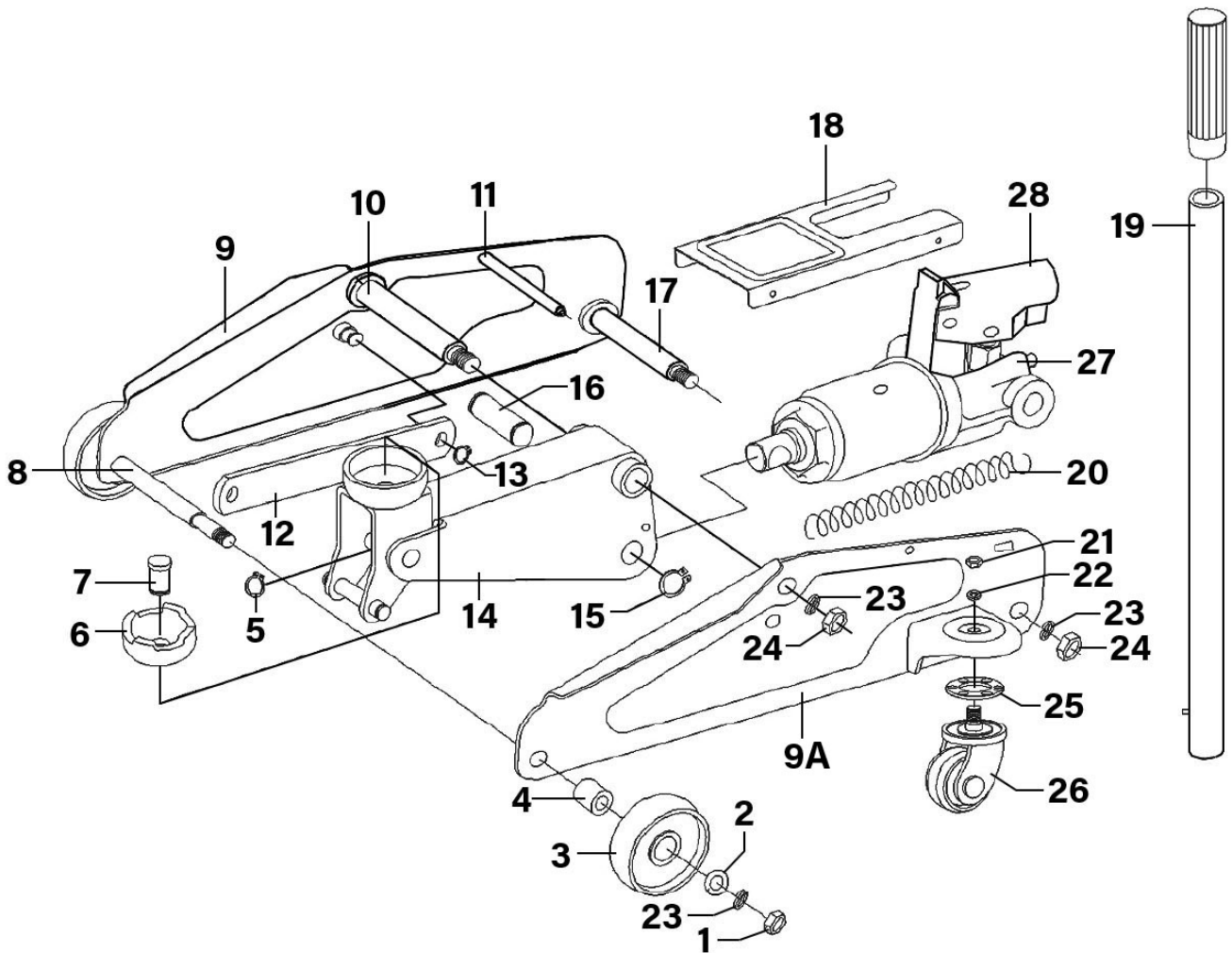


Parts Information:  
**Trolley Jack 3 Tonne Long Reach Heavy-Duty**  
**Model No: 1153CX.V5**



Item	Part No.	Description
1	SN16.S	Steel Nut M16 Zinc
2	1153CX.V4-02	Washer
3	1153CX.V5-03	Wheel, Front Fixed (D:90 W:20 B:20)
4	1153CX.V4-04	Bushing
5	1030CXDK.08	External Circlip 11.8mm ID
6	1153CX.V4-06	Saddle, White Serrated Cup (F) Ø 68mm
7	1153CX.V4-07	Saddle Pin
8	1153CX.V4-08	Front Wheel Shaft
9	1153CX.V4-09	Side Plate (Left)
9A	1153CX.V4-09A	Side Plate (Right)
10	1153CX.V4-10	Lifting Arm Spindle
11	1153CX.V4-11	Spindle, Side Member
12	1153CX.V5-12	Link Rod 'Black'
13	1153CX.V4-13	C-ring (S13)
14	1153CX.V4-14	Lifting Arm
15	1153CX.V4-15	External Circlip 20.3mm ID

Item	Part No.	Description
16	1153CX.V4-16	Link Shaft
17	1153CX.V4-17	Anchor Bolt
18	1153CX.V5-18	Cover Plate 'Black'
19	1153CX.V4-19	Jack Handle (Pinched Circle) 16mm
20	1153CX.V4-20	Return Spring Dia 17.8mm
21	SN10.S	Steel Nut M10 Zinc
22	SWM10.S	Spring Washer M10 Zinc
23	SWM16.SB	Spring Washer M16 Black
24	SN16.S	Steel Nut M16 Zinc
25	1153CX.V4-25	Plastic Bearing Race
26	1153CX.V5-26	Wheel, Swivel Castor, Single Bolt (D:55 W:19 B:8 H:83)
27	1153CX.V5-27	Power Unit Ass'y 'Black'
28	1153CX.V5-28	Handle Socket Ass'y 'Black'
--	PH10.V4-P18	Torsion Spring Pin (Not Shown)
--	1153CX.V4-RK	Repair Kit For 1153CX (Not Shown)

**NOTE:** It is our policy to continually improve products and as such we reserve the right to alter data, specifications and component parts without prior notice. There may be alternative versions of this product, please contact us should you require this information.

**IMPORTANT:** No liability is accepted for incorrect use of product. Spare parts must be fitted by a competent person

**WARRANTY:** Guarantee is 12 months from purchase date, proof of which will be required for any claim.