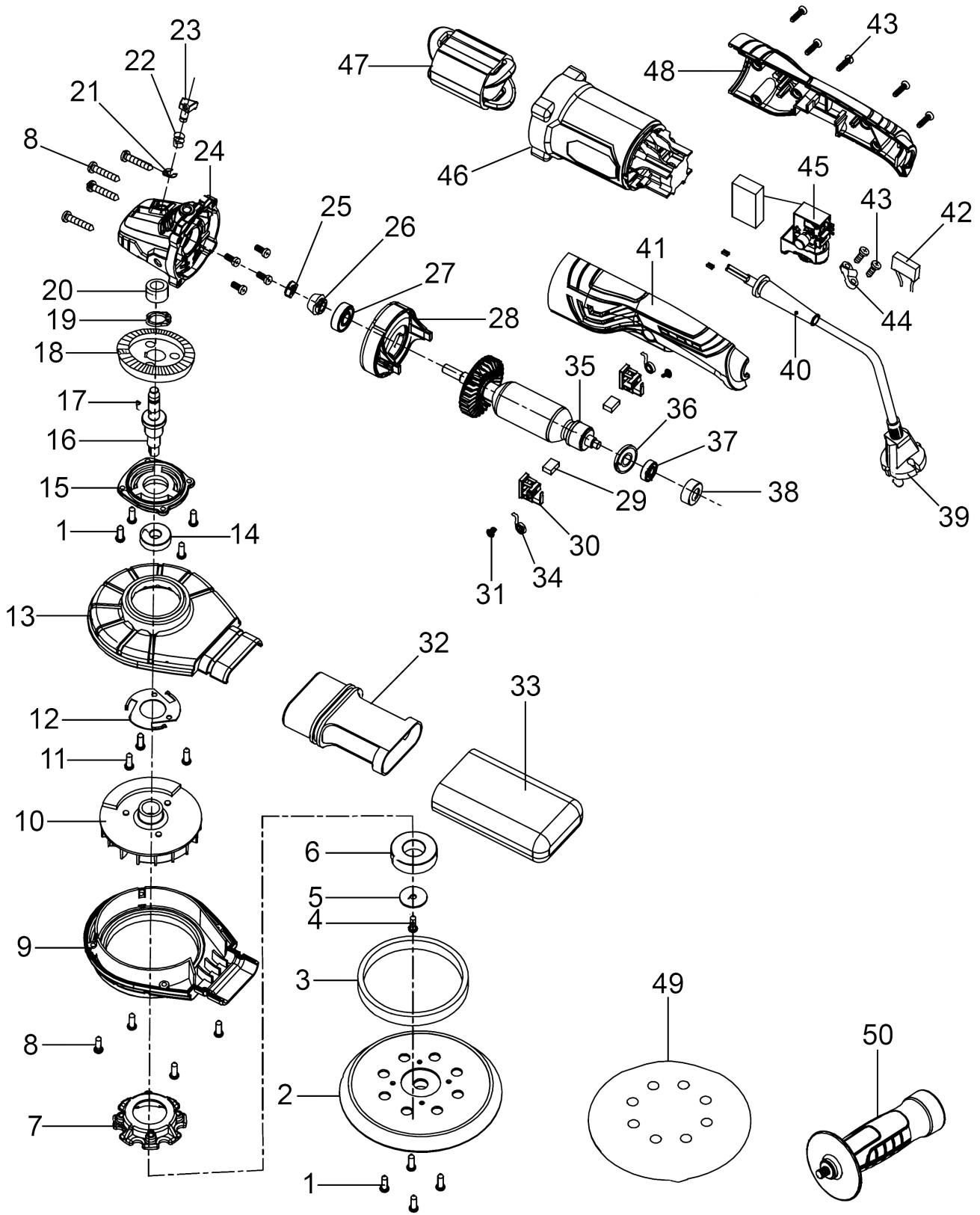


Parts Information:
**Random Orbital Sander Variable Speed
 Dust-Free Ø150mm 750W/230V
 Model No: DAS151.V2**



NOTE: It is our policy to continually improve products and as such we reserve the right to alter data, specifications and component parts without prior notice. There may be alternative versions of this product, please contact us should you require this information.

IMPORTANT: No liability is accepted for incorrect use of product. Spare parts must be fitted by a competent person

WARRANTY: Guarantee is 12 months from purchase date, proof of which will be required for any claim.



Parts Information:
**Random Orbital Sander Variable Speed
Dust-Free Ø150mm 750W/230V
Model No: DAS151.V2**

Item	Part No.	Description
1	MSP46.SB	Machine Screw Pan Head, Phillips M4 x 6mm Black
2	DAS151.06	Backing Pad, Hook-and-Loop Ø150mm
3	DAS151.V2-03	Felt Ring
4	MSP516.S	Machine Screw Pan Head Phillips M5 x 16mm
5	RWB620.S	Repair Washer M6 x 20mm Black
6	B/6003-2RS	Bearing 6003-2RS
7	DAS151.V2-07	Bearing Support
8	MSP422.SB	Pan Head Machine Screw Black M4 x 22mm
9	DAS151.V2-09	Lower Cover
10	DAS151.V2-10	Eccentric Fan
11	DAS151.V2-11	Stud
12	DAS151.V2-12	Fan Clamp
13	DAS151.V2-13	Upper Cover
14	B/6000-2RS	Bearing 6000-2RS
15	DAS151.V2-15	Gearcase Cover
16	DAS151.V2-16	Output Shaft
17	DAS151.V2-17	Output Shaft Key (3 x 3.5 x 10)
18	DAS151.V2-18	Gear
19	DAS151.V2-19	Circlip Ø10
20	B/HK0810	Needle Bearing HK0810
21	DAS151.V2-21	C-Clip
22	DAS151.V2-22	Self-Lock Button Spring
23	DAS151.V2-23	Self-Lock Cap & Pin Set
24	DAS151.V2-24	Gearcase
25	DAS151.V2-25	Locknut
26	DAS151.V2-26	Pinion

Item	Part No.	Description
27	B/629-2RS	Bearing 629-2RS
28	DAS151.V2-28	Fan Baffle
29	DAS151.V2-29	Carbon Brush (Pair)
30	DAS151.V2-30	Carbon Brush Holder (Pair)
31	ER1700PD.55	Rd Head s/t Screw M3 x 8mm Black
32	DAS151.V2-32	Dust Collection Support
33	DAS151.V2-33	Dust Collection Bag
34	DAS151.V2-34	Carbon Brush Holder Spring
35	DAS151.V2-35	Rotor
36	DAS151.V2-36	Dust Ring
37	B/607ZZ	Bearing 607ZZ
38	DAS151.V2-38	Bearing Bush
39	DAS151.V2-39	Cable & Plug
40	DAS151.V2-40	Cord Sleeve
41	DAS151.V2-41	Left Side Handle
42	DAS151.V2-42	Capacitor
43	ER1700PD.12	Rd Head s/t Screw M4 x 16mm Black
44	DAS151.V2-44	Cord Clamp
45	DAS151.V2-45	Switch Assembly
46	DAS151.V2-46	Stator Housing
47	DAS151.V2-47	Stator
48	DAS151.V2-48	Right Side Handle
49	DAS151.V2-49	Sanding Pad
50	DAS151.V2-50	Side Handle
--	DAS151.V2-51	Foam Pad Ø150mm (Not Shown)

NOTE: It is our policy to continually improve products and as such we reserve the right to alter data, specifications and component parts without prior notice. There may be alternative versions of this product, please contact us should you require this information.

IMPORTANT: No liability is accepted for incorrect use of product. Spare parts must be fitted by a competent person

WARRANTY: Guarantee is 12 months from purchase date, proof of which will be required for any claim.

Sealey Group, Kempson Way, Suffolk Business Park, Bury St Edmunds, Suffolk. IP32 7AR



01284 757500



sales@sealey.co.uk



www.sealey.co.uk