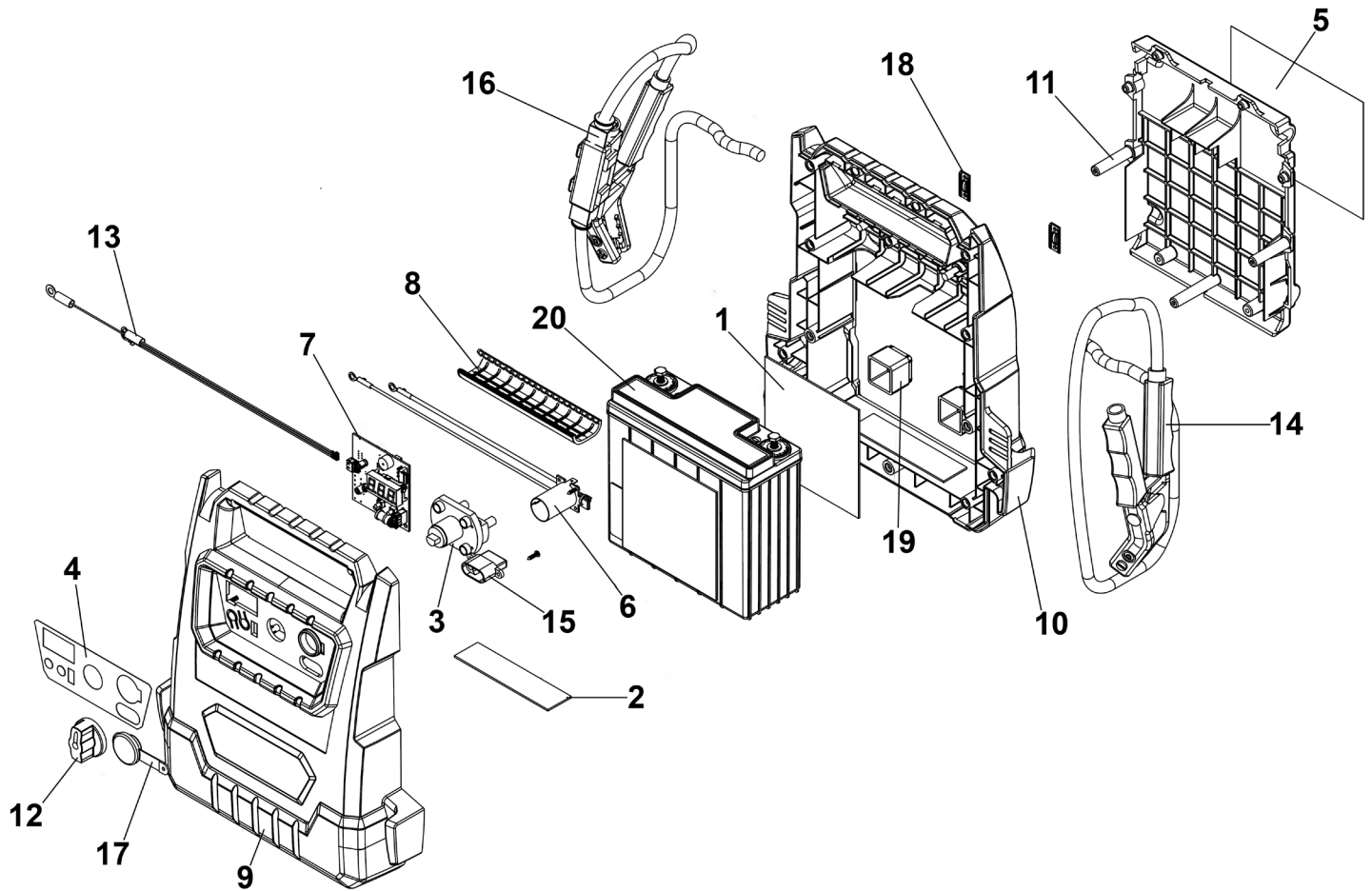


Parts Information:  
**12V RoadStart® Emergency Jump Starter**  
**2300 Peak Amps**  
**Model No: PBI2212GS**



Item	Part No.	Description
1	PBI2212GS.01	Tape (120 x 120 x 2mm)
2	PBI2212GS.02	Tape (120 x 30 x 2mm)
3	PBI2212GS.03	On/Off Rotary Switch
4	PBI2212GS.04	Label, Front
5	PBI2212GS.05	Label, Warning
6	PBI4424GS.08	DC Adaptor Input Assembly
7	PBI2212GS.07	PCB, Control Board, 72 X 72mm (c/w Display & Micro Switches)
8	PBI4424GS.11	Cover, Handle Insert
9	PBI2212GS.09	Front Case, Black
10	PBI2212GS.10	Back Case, Black
11	PBI2212GS.11	Back Case Cover, Black

Item	Part No.	Description
12	PBI2212GS.12	Knob, Switch, Plastic Ø36mm, 10mm Semicircular (F)
13	PBI2212GS.13	Harness, Housing
14	PBI2212GS.14	Cable & Clamp Assembly (Negative)
15	PBI4424GS.16	Plug, SAE Style 3-Pin
16	PBI2212GS.16	Cable & Clamp (Positive)(c/w Fuse)
17	PBI4424GS.20	DC Socket Cover
18	PBI4424GS.21	Strap, Strain Relief
19	PBI2212GS.19	Support, Battery
20	PBI4424GS.23	Battery 12V, 22Ah (160 x 180 x 70mm)
--	PBI4424GS.AC1	Mains Charger 12V DC 2A 230V AC 50Hz 0.5A 3-Pin SAE (Not Shown)

**NOTE:** It is our policy to continually improve products and as such we reserve the right to alter data, specifications and component parts without prior notice. There may be alternative versions of this product, please contact us should you require this information.

**IMPORTANT:** No liability is accepted for incorrect use of product. Spare parts must be fitted by a competent person

**WARRANTY:** Guarantee is 12 months from purchase date, proof of which will be required for any claim.