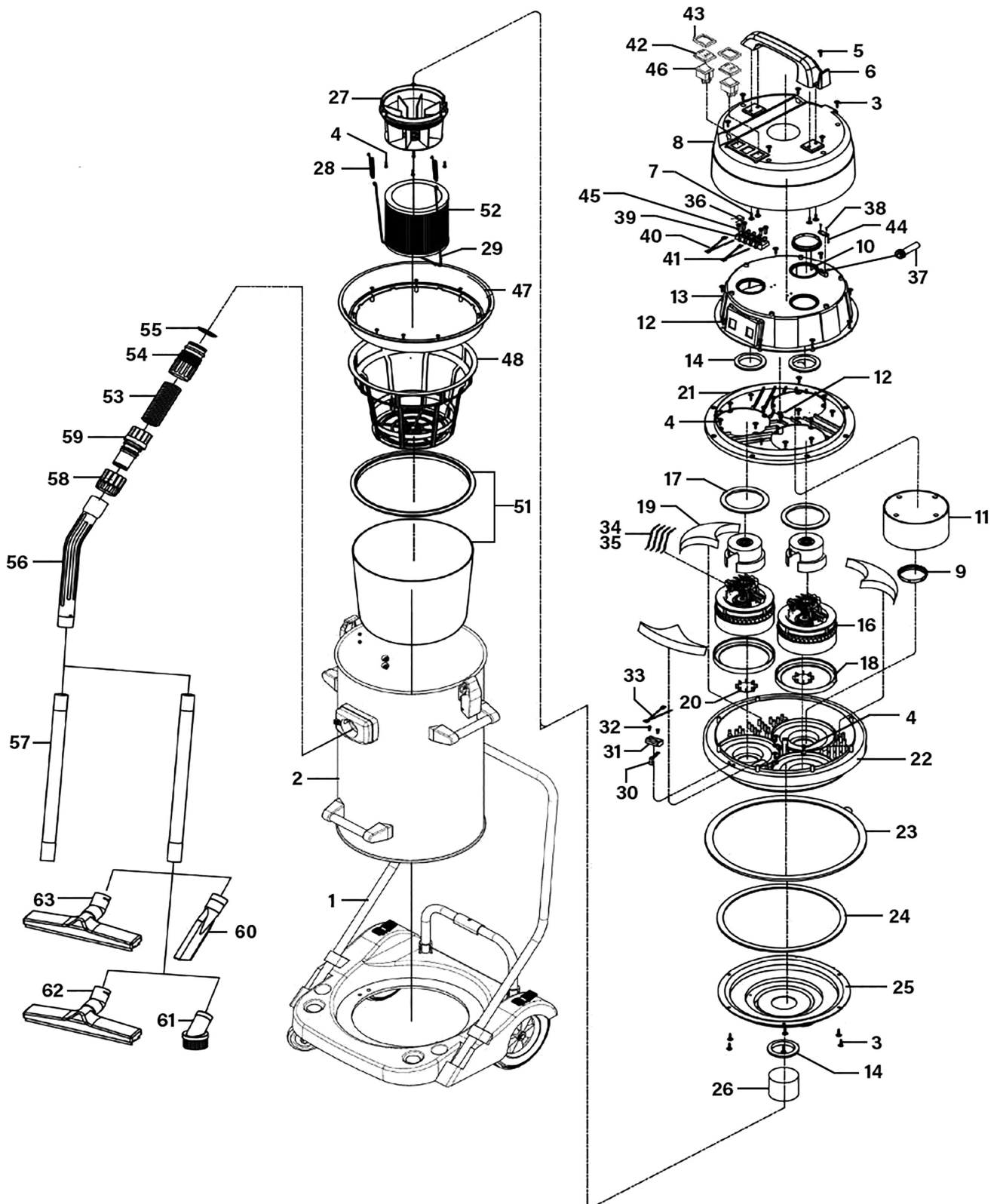


Parts Information:  
**Industrial Vacuum Cleaner Wet & Dry**  
**Stainless Steel Drum with Swivel Emptying**  
**77L 2400W**  
**Model No: PC477**



**NOTE:** It is our policy to continually improve products and as such we reserve the right to alter data, specifications and component parts without prior notice. There may be alternative versions of this product, please contact us should you require this information.

**IMPORTANT:** No liability is accepted for incorrect use of product. Spare parts must be fitted by a competent person

**WARRANTY:** Guarantee is 12 months from purchase date, proof of which will be required for any claim.

Jack Sealey Ltd t/a Sealey Group, Kempson Way, Suffolk Business Park, Bury St Edmunds, Suffolk, IP32 7AR UK

Jack Sealey (EU) Ltd t/a Sealey Group, Farney Street, Carrickmacross, Co. Monaghan, A81 PK68 Ireland

Tel: 01284 757500 · Email: sales@sealey.co.uk · Web: www.sealey.co.uk



Parts Information:  
**Industrial Vacuum Cleaner Wet & Dry  
 Stainless Steel Drum with Swivel Emptying  
 77L 2400W  
 Model No: PC477**

| Item | Part No.    | Description                         |
|------|-------------|-------------------------------------|
| 1    | PC477.01    | Trolley Ass'y                       |
| 2    | PC477.02    | Tank Ass'y                          |
| 3    | PC477.04-1  | RD Head S/t Screw M5 x 15mm Black   |
| 4    | PC477.04-2  | RD Head S/t Screw M4.8 x 20mm Black |
| 5    | PC477.04-3  | RD Head S/t Screw M5 x 63mm Black   |
| 6    | PC477.04-4  | Handle                              |
| 7    | PC477.04-5  | Screw                               |
| 8    | PC477.04-6  | Top Housing                         |
| 9    | PC477.04-7  | Blocker                             |
| 10   | PC477.04-8  | Upper Blocker                       |
| 11   | PC477.04-9  | Blanking Cap                        |
| 12   | PC477.04-10 | RD Head S/t Screw M5 x 30mm Black   |
| 13   | PC477.04-11 | Middle Cover                        |
| 14   | PC477.04-12 | Gasket                              |
| 16   | PC477.03-22 | Motor 1200W                         |
| 17   | PC477.04-15 | Foam Gasket                         |
| 18   | PC477.04-16 | Gasket                              |
| 19   | PC477.04-17 | Foam Filter                         |
| 20   | PC477.04-18 | Blanking Plate                      |
| 21   | PC477.04-19 | Base                                |
| 22   | PC477.04-20 | Motor Base                          |
| 23   | PC477.04-21 | Gasket                              |
| 24   | PC477.04-22 | Gasket                              |
| 25   | PC477.04-23 | Bottom Base                         |
| 26   | PC477.04-25 | Float                               |
| 27   | PC477.04-26 | Float Frame                         |
| 28   | PC477.04-27 | Spring                              |
| 29   | PC477.04-29 | Hook                                |
| 30   | PC477.04-30 | Plate                               |
| 31   | PC477.04-31 | Plate                               |
| 32   | PC477.04-32 | Screw M3 x 8mm                      |
| 33   | PC477.04-33 | Wire                                |

| Item | Part No.    | Description                                         |
|------|-------------|-----------------------------------------------------|
| 34   | PC477.05-11 | Wire                                                |
| 35   | PC477.05-12 | Wire                                                |
| 36   | PC477.05-13 | Capacitor 0.1µF                                     |
| 37   | PC477.05-2  | Cord Holder                                         |
| 38   | PC477.05-4  | Screw                                               |
| 39   | PC477.05-5  | Terminal Block                                      |
| 40   | PC477.05-6  | Wire                                                |
| 41   | PC477.05-7  | Wire                                                |
| 42   | PC477.05-8  | Transparent Cover                                   |
| 43   | PC477.05-9  | Transparent Cover Frame                             |
| 44   | PC455.03-27 | Plate                                               |
| 45   | PC455.03-44 | Screw M4 x 16mm                                     |
| 46   | PC455.03-48 | Switch                                              |
| 47   | PC477.03-1  | Frame Holder                                        |
| 48   | PC477.03-2  | Frame Assembly                                      |
| 51   | PC477.CF    | Cloth Filter Assembly - <b>Please see Catalogue</b> |
| 52   | PC477.PF    | Cartridge Filter - <b>Please see Catalogue</b>      |
| 53   | PC455.05-1  | Hose 3m                                             |
| 54   | PC455.05-2  | Connector                                           |
| 55   | PC455.05-3  | Seal                                                |
| 56   | PC455.05-4  | Elbow Connector                                     |
| 57   | PC455.05-5  | Tube Extension (2Pcs)                               |
| 58   | PC455.05-6  | Connector                                           |
| 59   | PC455.05-7  | Connector                                           |
| 60   | PC455.05-8  | Crevice Tool                                        |
| 61   | PC455.05-9  | Round Brush                                         |
| 62   | PC477.07    | Brush Nozzle Complete                               |
| 63   | PC477.08    | Squeegee Nozzle Complete                            |
| --   | PC477AK1    | Front Mounted Squeegee (Not Shown)                  |
| --   | PC477.03-3  | Screw M4 x 18mm (Not Shown)                         |
| --   | PC477.04    | Top Head Assembly (Not Shown)                       |

**NOTE:** It is our policy to continually improve products and as such we reserve the right to alter data, specifications and component parts without prior notice. There may be alternative versions of this product, please contact us should you require this information.

**IMPORTANT:** No liability is accepted for incorrect use of product. Spare parts must be fitted by a competent person

**WARRANTY:** Guarantee is 12 months from purchase date, proof of which will be required for any claim.

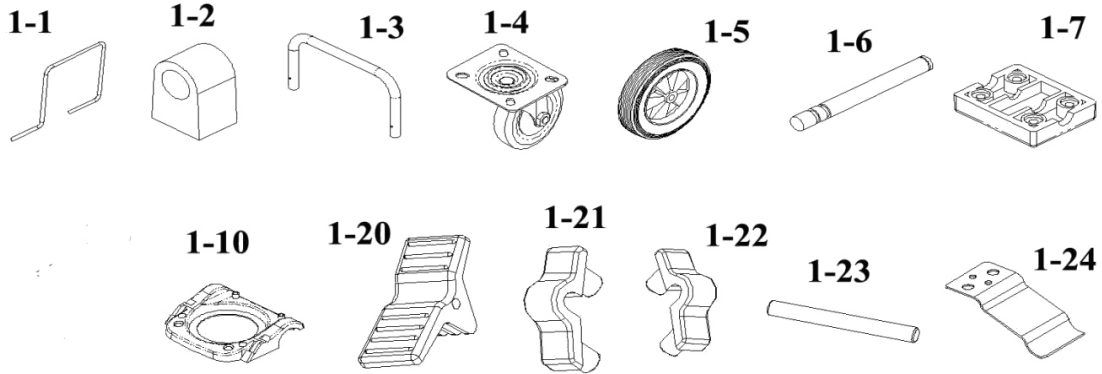
**Jack Sealey Ltd t/a Sealey Group, Kempson Way, Suffolk Business Park, Bury St Edmunds, Suffolk, IP32 7AR UK**

**Jack Sealey (EU) Ltd t/a Sealey Group, Farney Street, Carrickmacross, Co. Monaghan, A81 PK68 Ireland**

**Tel: 01284 757500 · Email: sales@sealey.co.uk · Web: www.sealey.co.uk**

Parts Information:  
**Industrial Vacuum Cleaner Wet & Dry  
 Stainless Steel Drum with Swivel Emptying  
 77L 2400W  
 Model No: PC477**

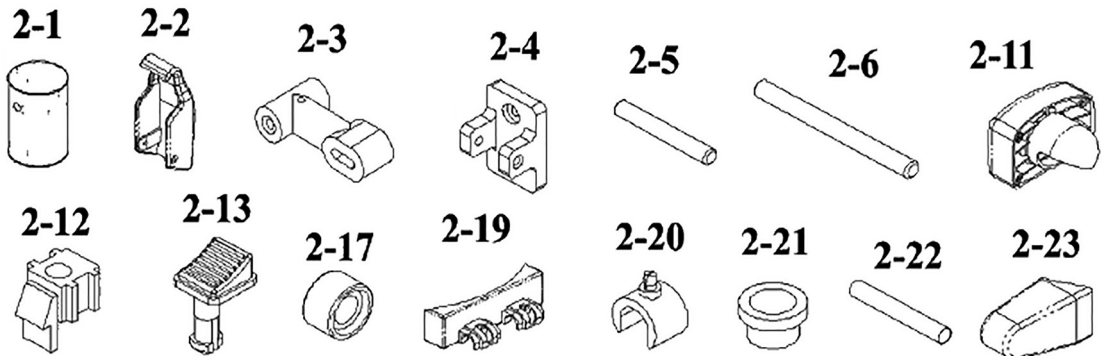
## TROLLEY PARTS



| Item | Part No.    | Description                                 |
|------|-------------|---------------------------------------------|
| 1.1  | PC477.01-1  | Handle                                      |
| 1.2  | PC477.01-2  | Holder                                      |
| 1.3  | PC477.01-5  | Support Handle                              |
| 1.4  | PC455.01-4  | Wheel, Castor (Ø78 x 24 x Ø9mm Bore x101mm) |
| 1.5  | PC477.01-10 | Fixed Wheel (Ø240 x 45 x Ø12mm Bore)        |
| 1.6  | PC477.01-11 | Shaft                                       |
| 1.7  | PC455.01-7  | Plate                                       |

| Item | Part No.    | Description    |
|------|-------------|----------------|
| 1.10 | PC477.01-17 | Trolley Base   |
| 1.20 | PC455.01-20 | Pedal          |
| 1.21 | PC455.01-21 | Holder (Left)  |
| 1.22 | PC455.01-22 | Holder (Right) |
| 1.23 | PC455.01-23 | Pin            |
| 1.24 | PC477.01-23 | Brake Plate    |

## Tank Parts



| Item | Part No.    | Description     |
|------|-------------|-----------------|
| 2.1  | PC477.02    | Tank Ass'y      |
| 2.2  | PC455.02-2  | Tank Clip       |
| 2.3  | PC455.02-3  | Holder          |
| 2.4  | PC455.02-4  | Base            |
| 2.5  | PC455.02-5  | Pin (Short)     |
| 2.6  | PC455.02-6  | Pin (Long)      |
| 2.11 | PC455.02-11 | Suction Coupler |
| 2.12 | PC455.02-12 | Holder          |

| Item | Part No.    | Description   |
|------|-------------|---------------|
| 2.13 | PC455.02-13 | Button        |
| 2.17 | PC455.02-17 | Holder        |
| 2.19 | PC455.02-19 | Clip          |
| 2.20 | PC455.02-20 | Fixed Holder  |
| 2.21 | PC455.02-21 | Knob          |
| 2.22 | PC455.02-22 | Handle        |
| 2.23 | PC455.02-23 | Handle Holder |

**NOTE:** It is our policy to continually improve products and as such we reserve the right to alter data, specifications and component parts without prior notice. There may be alternative versions of this product, please contact us should you require this information.

**IMPORTANT:** No liability is accepted for incorrect use of product. Spare parts must be fitted by a competent person

**WARRANTY:** Guarantee is 12 months from purchase date, proof of which will be required for any claim.