

SEALEY

™ MANUAL HOIST TROLLEY 1000KG CAPACITY

MODEL NO'S: PHT1000

Thank you for purchasing a Sealey product. Manufactured to a high standard, this product will, if used according to these instructions, and properly maintained, give you years of trouble free performance.

IMPORTANT: PLEASE READ THESE INSTRUCTIONS CAREFULLY. NOTE THE SAFE OPERATIONAL REQUIREMENTS, WARNINGS & CAUTIONS. USE THE PRODUCT CORRECTLY AND WITH CARE FOR THE PURPOSE FOR WHICH IT IS INTENDED. FAILURE TO DO SO MAY CAUSE DAMAGE AND/OR PERSONAL INJURY AND WILL INVALIDATE THE WARRANTY. KEEP THESE INSTRUCTIONS SAFE FOR FUTURE USE.



Refer to
instruction
manual



Wear protective
headgear



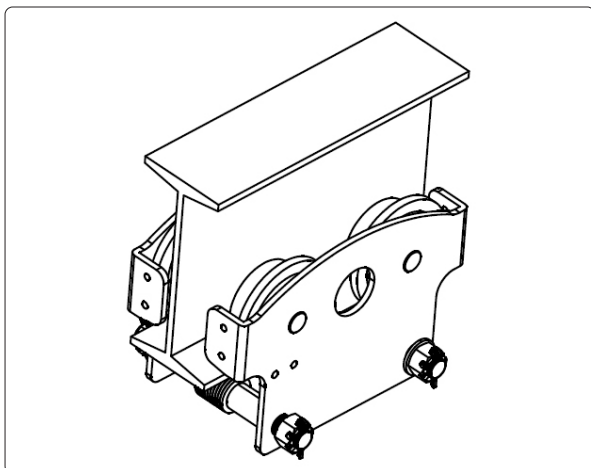
Wear protective
gloves



Wear protective
footwear

1. SAFETY

- ✓ Keep trolley and beams in good working order and condition. Follow the inspection requirements as described in Section 6. Maintenance. *Take immediate action to repair or replace damaged parts by contacting your supplier. Ensure that all accessory lifting devices are suitably certified. If damaged, remove from service immediately.*
- ✓ The trolley is designed to travel on a beam and carry a load up to the rated capacity. The capacity indicated on the trolley (see nameplate) is the maximum safe working load which must not be exceeded.
- ✓ **Keep** children and unauthorised persons away from the working area.
- ✓ **Keep** working area clean and tidy, free from unrelated materials and ensure that there is adequate lighting.
- ✓ **Ensure** that load does not exceed the maximum capacity of the trolley. Overloading the trolley is dangerous. Where appropriate, use only the lifting points recommended by the manufacturer of the item to be lifted, e.g. vehicle engine.
- ✓ **Ensure** that load does not exceed the maximum capacity of the I Beam that the trolley is attached to.
- ✓ **Before** lifting the load ensure that there are no obstacles which may snag the load whilst it is being lifted.
- ✓ When the load prevents adequate visibility of the zone in front of the load, there is a necessity to be assisted.
- ✓ It is necessary to carry out a risk assessment to avoid injuring due to over intensive use.
- ✓ When the load prevents adequate visibility of the zone in front of the load, there is a necessity to be assisted
- ✓ **To** avoid injury, be fully aware of your own and other persons locations in relation to the lifting, and lowering, of the load.
- ✓ **Keep** a sound footing and balance, and ensure the floor is not slippery.
- ✗ **DO NOT** harness the load at an angle or use any attachments not verified as fit for purpose.
- ✗ **DO NOT** allow the load to swing during lifting.
- ✓ Lower load with care, ensuring that you are fully aware of the condition of the surface onto which the load is to be placed.
- ✗ **DO NOT** position any part of your body beneath the load.
- ✗ **DO NOT** use this product to perform a task for which it is not designed.
- ✗ **DO NOT** use whilst under the influence of drugs, alcohol or intoxicating medication.
- ✗ **DO NOT** lift or transport loads while personnel are in the danger zone.
- ✗ **DO NOT** allow personnel to pass under a suspended load.
- ✗ **DO NOT** use the trolley for transportation of people.
- ✗ **DO NOT** use the trolley in explosive or corrosive environments.
- ✓ After lifting, **DO NOT** leave the load suspended for longer than necessary.
- ✓ Start moving the load only after it has been attached correctly and all personnel are clear of the danger zone.
- ✓ **When** not in use, store in a safe, dry, childproof area.
- ✓ Maximum deflection of 1/500 the span under the self-weight of the trolley.
- ✓ **This trolley is designed for use within a garage or workshop environment.**
- ☐ **WARNING!** Failure to heed safety and warning instructions may result in damage and/or personal injury and will invalidate the warranty.



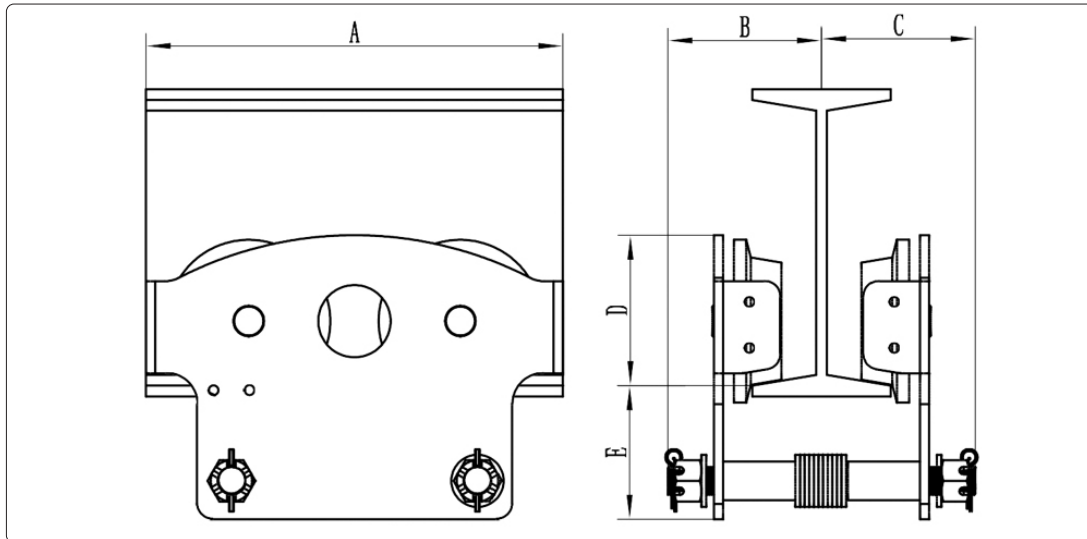
2. INTRODUCTION

Suitable for use with our Power Hoists (with fixing plate - included), Lever Hoists or Chain Blocks. Designed for mounting onto an I-beam or RSJ to allow load to be manoeuvred. Strong steel construction with powder paint finish for rust resistance. Simple adjustment secured with castellated nuts to fit beams between 68 to 110mm wide.

3. SPECIFICATION

Model	Capacity	Track Width Adjustable Range	Minimum Curve Radius	Steel Beam (a)	Type	Nett Weight
PHT1000	1000kg	68-110mm	1000mm	10-22a	Plain	14.4kg

A	B	C	D	E
270mm	100mm	100mm	98mm	88mm



4. INSPECTION / EXAMINATION

4.1. INSPECTION AND EXAMINATION OF TROLLEY BEFORE ASSEMBLY AND EACH USE.

- Before assembly and each use of the trolley, you must perform an inspection for damaged, loose, missing parts, corrosion, wear, or other irregularities (refer to Parts List for reference).
- The trolley must be examined immediately if it has been subject to an abnormal load or shock. It is recommended that such an examination is made by an authorised service agent.
- The owner and/or operator must be aware that repair of this equipment will require specialised knowledge and facilities. It is recommended that an annual examination of the trolley is made by an authorised service agent.
- Unauthorised parts may be dangerous and will invalidate the warranty.

NOTE! Please see the Definition of 'inspection' and 'examination' below.

4.2. INSPECTION:

Looking at and reviewing the trolley for defects and checking the operation without loading the trolley. This is much more than a check but does not normally require any part of the trolley to be dismantled. Inspections are instigated by the user.

4.3. EXAMINATION:

Verification that the trolley can safely continue in service including a functional test to verify that it operates within the required tolerances. An examination is more thorough than an inspection. All examinations and inspections should be carried out by a competent person.

5. INSTALLATION STEPS

5.1. **NOTE:** Unit comes complete. Refer to Parts Information.

5.2. MEASURE BEAM WIDTH

- Measure I-beam flange width (inside edge to edge).
- Compare with trolley's current width.

5.3. DISASSEMBLE SLOTTED NUTS

- Straighten and remove both split pins.
- Unscrew slotted nuts from each side.
- Slide side plates apart slightly.

5.4. ADJUST WASHERS

- Add or remove middle spacers to match beam width.
- Maintain 2–4 mm clearance on each side for smooth travel.

5.5. REASSEMBLE TROLLEY

- Refit side plates and castle nuts.
- Align nut slots with shaft holes.
- Insert split pins and bend legs securely.

5.6. MOUNT ON BEAM

- 5.6.1. Lift trolley onto I-beam.
- 5.6.2. Ensure wheels sit squarely and roll freely.
- 5.6.3. Attach hoist to suspension eye.

5.7. FINAL CHECKS

- 5.7.1. Castle nuts tight, split pins secure.
- 5.7.2. Wheels rotate freely.
- 5.7.3. Trolley tracks straight.
- 5.7.4. Hoist hangs centrally.
- 5.7.5. Test with light load before full use.

6. OPERATION

NOTE: ENSURE YOU HAVE READ AND UNDERSTOOD THE SAFETY INSTRUCTIONS BEFORE YOU OPERATE THE TROLLEY.

- 6.1. (Refer to Section 4 regarding inspection before each and every use).
 - 6.2. You must perform a risk assessment before undertaking any operations with the trolley.
 - a) Connect the trolley to the load using a suitable **certified** chain hoist or similar. Ensure you are aware of the load weight, and check that it is within the capacity of the trolley and the support beam. Ensure you know the weight to be lifted.
 - b) Use only lifting points sufficient to hold the weight.
 - c) Lift only from directly above the load.
- WARNING! DO NOT LIFT THE LOAD AT AN ANGLE!**
- d) **WARNING! you must seek assistance if the load size prevents adequate visibility of the zone in front of the load.**
 - e) When load has been secured, remove lifting sling, support beam etc. and place trolley in a safe location.
- WARNING!** Ensure the trolley is installed so that the rollers remain securely engaged with the beam at all times and cannot



ENVIRONMENT PROTECTION

Recycle unwanted materials instead of disposing of them as waste. All tools, accessories and packaging should be sorted, taken to a recycling centre and disposed of in a manner which is compatible with the environment. When the product becomes completely unserviceable and requires disposal, drain any fluids (if applicable) into approved containers and dispose of the product and fluids according to local regulations.

Note: It is our policy to continually improve products and as such we reserve the right to alter data, specifications and component parts without prior notice. Please note that other versions of this product are available. If you require documentation for alternative versions, please email or call our technical team on technical@sealey.co.uk or 01284 757505.

Important: No Liability is accepted for incorrect use of this product.

Warranty: Guarantee is 12 months from purchase date, proof of which is required for any claim.



REGISTER YOUR PURCHASE HERE

Jack Sealey Ltd t/a Sealey Group, Kempson Way, Suffolk Business Park, Bury St Edmunds, Suffolk, IP32 7AR UK
Jack Sealey (EU) Ltd t/a Sealey Group, Farney Street, Carrickmacross, Co. Monaghan, A81 PK68 Ireland
Tel: 01284 757500 • Email: sales@sealey.co.uk • Web: www.sealey.co.uk