

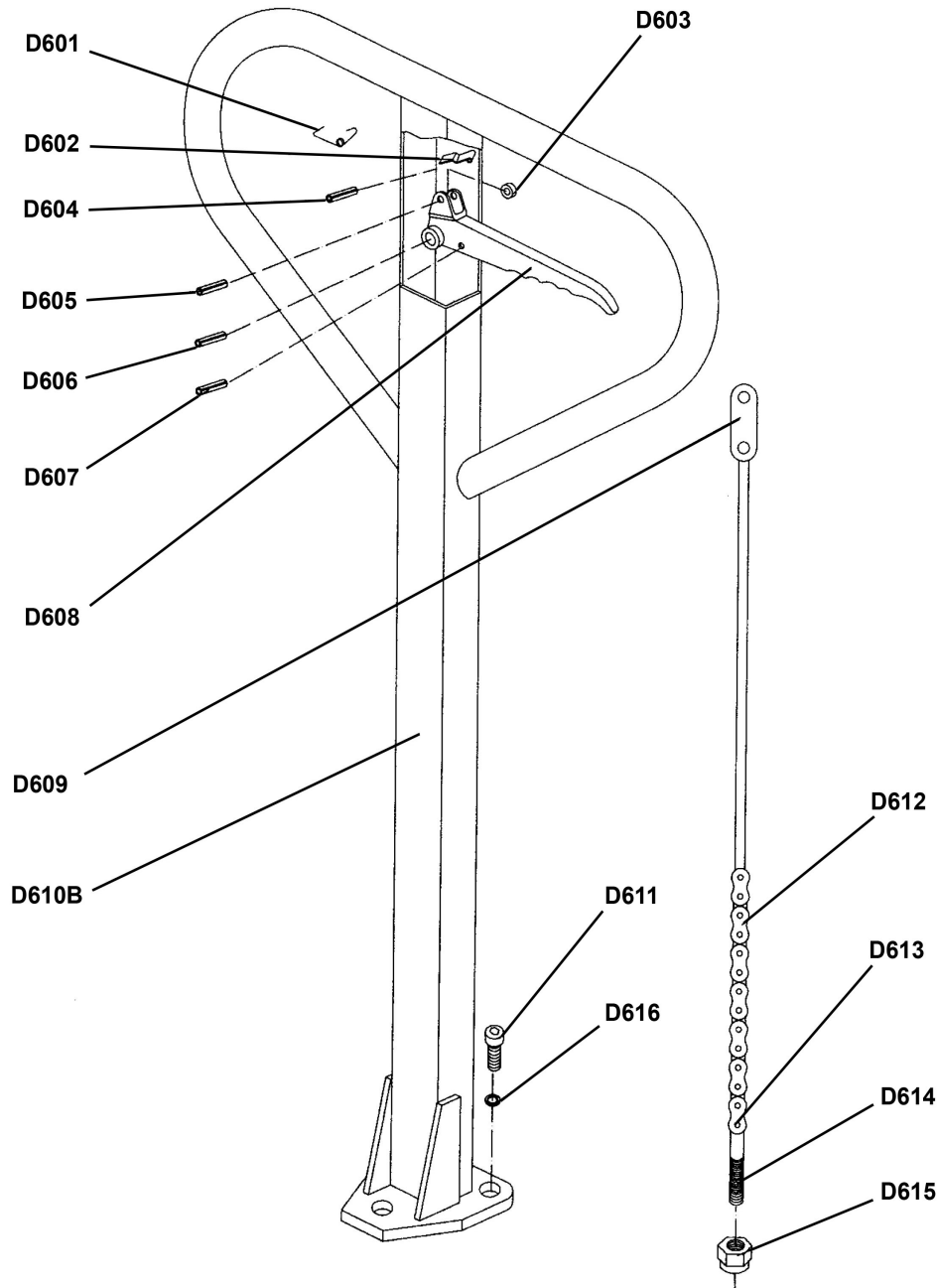
Item	Part No.	Description
D201	SCB816.SB	Socket Cap Bolt M8 x 16mm Black
D202	PT2200-V2-D202	Grease Nipple
D203	PT2200-V2-D203	Rock - Arm
D204	PT2200-V2-D204	Spring Pin M5 x 40
D205	PT2200-V2-D205	External Circlip Ø16
D206D	PT2200-V2-D206D	Joint
D207	PT2200-V2-D207	Shaft for Rock - Arm
D208D	PT2200-V2-D208D	Pushing Rod
D209D	PT2200-V2-D209D	Half Nut M20 x 1.5
D210	PT2200-V2-D210	Pin for Joint
D211	PT2200-V2-D211	Shaft for Fork Frame
D212	PT2200-V2-D212	Shaft for Frame Roller
D213	PT2200-V2-D213	Spring Pin M5 x 28
D214	PT2200-V2-D214	Shaft for Pushing Rod
D215	PT2200-V2-D215	Frame for Roller

Item	Part No.	Description
D216	AAS3000.10	Spring Pin M5 X 30
D217	PT2200-V2-D217	Pin for Link Plate
D218	PT2200-V2-D218	Fork Frame
D219	PT2200-V2-D219	Washer (20 x 25 x 1)
D220	B/6204-2RS	Bearing 6204-2RS
D221	PT2200-V2-D221	Load Roller
D222	PT2200-V2-D222	Link Plate
D223	SM25.V3-159	Spring Pin M5 X 35
D224	PT2200-V2-D224	Bushing
D225	PT2200-V2-D225	Bushing
D226	PT2200-V2-D226	Bolt for Enter Roller
D227	PT2200-V2-D227	Enter Roller
D228	NLN10.S	Nyloc Nut M10 Zinc
D231	PT2200-V2-D231	Washer
D232	PT2200-V2-D232	Washer

**NOTE:** It is our policy to continually improve products and as such we reserve the right to alter data, specifications and component parts without prior notice. There may be alternative versions of this product, please contact us should you require this information.

**IMPORTANT:** No liability is accepted for incorrect use of product. Spare parts must be fitted by a competent person

**WARRANTY:** Guarantee is 12 months from purchase date, proof of which will be required for any claim.



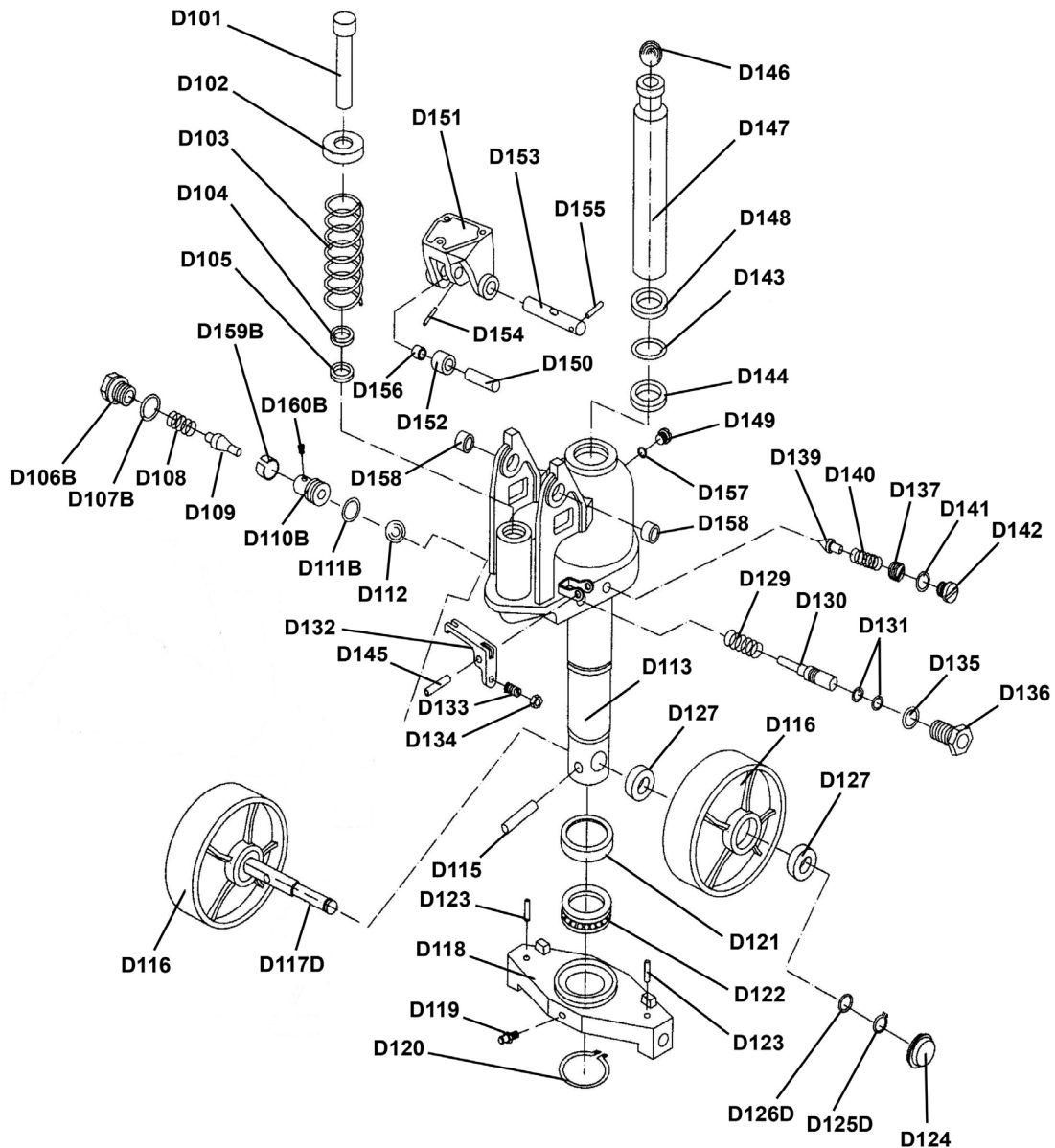
Item	Part No.	Description
D601	PT2200-V2-D601	Spring for Control Handle
D602	PT2200-V2-D602	Blade Spring
D603	PT2200-V2-D603	Roller
D604	SA291.V3-43	Spring Pin M4 X 30
D605	HPT1000.108	Spring Pin M4 X 20 Zinc
D606	PT2200-V2-D606	Spring Pin M6 x 30
D607	PT2200-V2-D607	Spring Pin M4 x 13
D608	PT2200-V2-D608	Control Handle

Item	Part No.	Description
D609	PT2200-V2-D609	Pull Rod
D610B	PT2200-V2-D610B	Handle
D611	SCB1025.SB	Socket Cap Bolt M10 x 25mm Black
D612	PT2200-V2-D612	Chain
D613	PT2200-V2-D613	Split Pin
D614	PT2200-V2-D614	Adjusting Bolt
D615	PT2200-V2-D615	Adjusting Nut
D616	PT2200-V2-D616	Elastic Washer

**NOTE:** It is our policy to continually improve products and as such we reserve the right to alter data, specifications and component parts without prior notice. There may be alternative versions of this product, please contact us should you require this information.

**IMPORTANT:** No liability is accepted for incorrect use of product. Spare parts must be fitted by a competent person

**WARRANTY:** Guarantee is 12 months from purchase date, proof of which will be required for any claim.



Item	Part No.	Description
D101	PT2200-V2-D101	Pump Piston Rod
D102	PT2200-V2-D102	Seal Washer for Pump Piston Rod
D103	PT2200-V2-D103	Spring for Pump Piston (Ø5 x 43 x 113)
D104	PT2200-V2-D104	Dust Ring
D105	PT2200-V2-D105	Y-Seal (Ø18 x Ø26 x 5)
D106B	PT2200-V2-D106B	Screw Cap M14 x 1
D107B	PT2200-V2-D107B	O-Ring
D108	PT2200-V2-D108	Spring for Pump Valve
D109	PT2200-V2-D109	Spindle for Pump Valve
D110B	PT2200-V2-D110B	Seat for Pump Valve

Item	Part No.	Description
D111B	PT2200-V2-D111B	O-Ring Ø13 x 1.9
D112	SB-7.0	Steel Ball 7.0mm
D113	PT2200-V2-D113	Base for Pump
D115	PT2200-V2-D115	Spring Pin M8 x 40
D116	PT2200-V2-D116	Wheel for Pump
D117D	PT2200-V2-D117D	Shaft for Steering Wheel
D118	PT2200-V2-D118	Plate
D119	PT2200-V2-D119	Grease Nipple
D120	PT2200-V2-D120	Ext Circlip
D121	PT2200-V2-D121	Bearing Cover

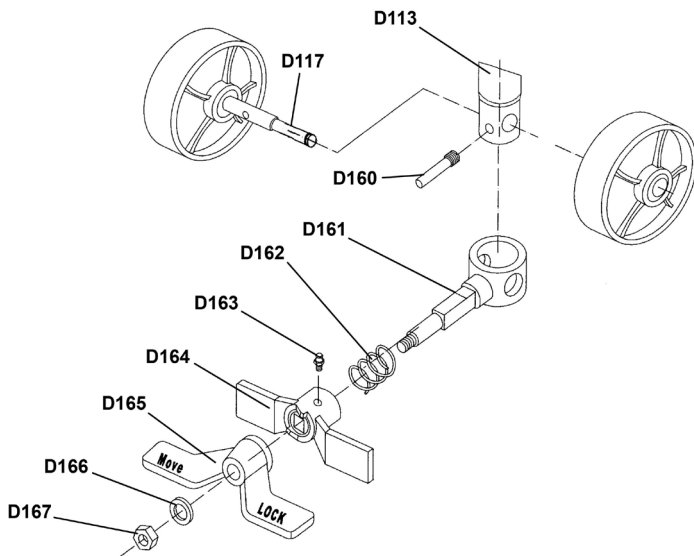
**NOTE:** It is our policy to continually improve products and as such we reserve the right to alter data, specifications and component parts without prior notice. There may be alternative versions of this product, please contact us should you require this information.

**IMPORTANT:** No liability is accepted for incorrect use of product. Spare parts must be fitted by a competent person

**WARRANTY:** Guarantee is 12 months from purchase date, proof of which will be required for any claim.

Item	Part No.	Description
D122	PT2200-V2-D122	Bearing 8112
D123	SM25.V3-159	Spring Pin M5 X 35
D124	PT2200-V2-D124	Dust Cover
D125D	PT2200-V2-D125D	External Circlip
D126D	PT2200-V2-D126D	Seal Ring
D127	B/6204-2RS	Bearing 6204-2rs
D129	PT2200-V2-D129	Spring (Ø1.3 x Ø9.5 x 25.5)
D130	PT2200-V2-D130	Pin
D131	PT2200-V2-D131	O-Ring (Ø6.8 x 1.9)
D132	PT2200-V2-D132	Lever Plate
D133	PT2200-V2-D133	Ajustment Screw (M8 x 20)
D135	PT2200-V2-D135	O-Ring (Ø19 x 1.9)
D136	PT2200-V2-D136	Axle Bolt
D137	PT2200-V2-D137	Adjusting Bolt (M14 x 1.5)
D139	PT2200-V2-D139	Spindle for Safety Valve
D140	PT2200-V2-D140	Safety Valve Spring (Ø3 x Ø10 x 24.5)
D141	PT2200-V2-D141	Safety Valve O-Ring (Ø18 x 2.4)
D142	PT2200-V2-D142	Safety Valve Screw (M14 x 1.5)

Item	Part No.	Description
D143	PT2200-V2-D143	O-Ring for Piston Rod (Ø31.34 x 3.53)
D144	PT2200-V2-D144	Y-Seal for Piston Rod
D145	PT2200-V2-D145	Spring Pin M8 x 38
D147	PT2200-V2-D147	Piston Rod
D148	PT2200-V2-D148	Dust Ring (Ø31.5 x Ø39.5 x 6.5)
D149	PT2200-V2-D149	Pump Screw (Ø12 x 15 x 20)
D150	PT2200-V2-D150	Shaft Pin for Pump Bracket (A)
D151	PT2200-V2-D151	Pump Bracket
D152	PT2200-V2-D152	Roller for Pump Bracket
D153	PT2200-V2-D153	Shaft Pin for Pump Bracket (B)
D154	PT2200-V2-D154	Spring Pin M4 x 24
D155	PT2200-V2-D155	Spring Pin M5 x 34
D156	PT2200-V2-D156	Bushing for Pump Bracket (A)
D157	PT2200-V2-D157	Seal Washer
D158	PT2200-V2-D158	Bushing
D159B	PT2200-V2-D159B	Sleeve
D160B	PT2200-V2-D160B	Grub Screw M2 x 1.5



Item	Part No.	Description
D117	PT2200-V2-D117D	Shaft for Steering Wheel
D113	PT2200-V2-D113	Base for Pump
D160	PT2200-V2-D160	Pin for Pump Body
D161	PT2200-V2-D161	Holding Sleeve
D162	PT2200-V2-D162	Spring for Holding Sleeve
D163	PT2200-V2-D163	Grease Nipple
D164	PT2200-V2-D164	Brake Plate
D165	PT2200-V2-D165	Pedal
D166	FWM12.S	Flat Washer M12 Zinc
D167	SN12.SB	Steel Nut M12 Black

**NOTE:** It is our policy to continually improve products and as such we reserve the right to alter data, specifications and component parts without prior notice. There may be alternative versions of this product, please contact us should you require this information.

**IMPORTANT:** No liability is accepted for incorrect use of product. Spare parts must be fitted by a competent person

**WARRANTY:** Guarantee is 12 months from purchase date, proof of which will be required for any claim.