



PRESSURE WASHER WITH TSS & ROTABLAST® NOZZLE 100BAR, 390L/HR 1200W

MODEL NO: PW1610.V2

Thank you for purchasing a Sealey product. Manufactured to a high standard, this product will, if used according to these instructions, and properly maintained, give you years of trouble free performance.

IMPORTANT: PLEASE READ THESE INSTRUCTIONS CAREFULLY. NOTE THE SAFE OPERATIONAL REQUIREMENTS, WARNINGS & CAUTIONS. USE THE PRODUCT CORRECTLY AND WITH CARE FOR THE PURPOSE FOR WHICH IT IS INTENDED. FAILURE TO DO SO MAY CAUSE DAMAGE AND/OR PERSONAL INJURY AND WILL INVALIDATE THE WARRANTY. KEEP THESE INSTRUCTIONS SAFE FOR FUTURE USE.



Refer to instructions



Wear face protection



Wear protective gloves



Wear safety footwear



Wear protective clothing



Wear ear protection



DO NOT drink water from pressure washer



DO NOT direct jet against yourself, other persons, animals, electrical equipment or the machine itself

1. SAFETY

CAUTION - READ THE INSTRUCTIONS BEFORE USING THE MACHINE.

1.1. ELECTRICAL SAFETY

- WARNING!** It is the user's responsibility to check the following:
- ✓ Check all electrical equipment and appliances to ensure that they are safe before using. Inspect power supply leads, plugs and all electrical connections for wear and damage. Sealey recommend that an RCD (Residual Current Device) is used with all electrical products.
- Electrical safety information.** It is important that the following information is read and understood:
- ✓ Ensure that the insulation on all cables and on the appliance is safe before connecting it to the power supply.
- ✓ Regularly inspect power supply cables and plugs for wear or damage and check all connections to ensure that they are secure.
- Important:** Ensure that the voltage rating on the appliance suits the power supply to be used and that the plug is fitted with the correct fuse.
- ✗ **DO NOT** pull or carry the appliance by the power cable.
- ✗ **DO NOT** pull the plug from the socket by the cable.
- ✗ **DO NOT** use worn or damaged cables, plugs or connectors. Ensure that any faulty item is repaired or is replaced immediately by a qualified electrician.
- If the cable or plug is damaged during use, switch off the electricity supply and remove from use. Cable must be replaced by the manufacturer, its service agent or similarly qualified persons in order to avoid a hazard.
- ✓ The Electric supply connection shall be made by a qualified electrician and comply with IEC 60364-1.
- ✓ It is recommended that the electric supply to this machine should include either a residual current device that will interrupt the supply if the leakage current to earth exceeds 30mA for 30ms or a device that will prove the earth circuit.
- WARNING!** Inadequate extension cords can be dangerous. If an extension cord is used, it shall be suitable for outdoor use, and the connection has to be kept dry and off the ground. It is recommended that this is accomplished by means of a suitably rated cord reel which keeps the socket at least 60mm above the ground.
- ✓ Ensure that repairs are carried out by a qualified electrician.

1.2. PRESSURE WASHER SAFETY

- ✓ Read the instructions fully before use. The manual forms an integral part of the appliance and should be kept for future reference. Please read it carefully before installing/using the unit. If the appliance is sold, the seller must pass on this manual to the new owner along with the appliance.
- WARNING!** Wear appropriate personal protective equipment for the task in hand. Risk assess the task and select: safety boots, safety gloves, safety helmets with visors, protective clothing, hearing protection as necessary.
- WARNING!** Machine/high pressure cleaners, shall not be used by children or untrained personnel.
- ✗ **DO NOT** allow children to use the appliance; supervise them to ensure that they do not play with it.
- WARNING! RISK OF EXPLOSION. DO NOT** use the appliance to spray flammable liquids.
- ✗ **DO NOT** use the appliance with flammable or toxic liquids, or any products which are not compatible with its correct operation. Use of the appliance in a potentially inflammable or explosive atmosphere is forbidden.
- WARNING! HIGH PRESSURE JETS** can be dangerous if subject to misuse. The jet must not be directed at persons, live electrical equipment or at the unit itself.
- WARNING! HIGH PRESSURE HOSES, fittings and couplings** are important for the safety of the machine. Use only hoses, fittings and couplings recommended by the manufacturer.
- ✗ **DO NOT** point the water jet at people or animals.
- ✗ **DO NOT** splash or wash the machine down.
- WARNING! ENSURE** that all people or animals keep a minimum distance of 15m.
- ✗ **DO NOT** use the appliance with people within its range of action unless they wear protective clothing.
- ✗ **DO NOT** direct the jet at yourself or others in order to clean clothing or footwear.
- ✗ **DO NOT** use the appliance outdoors when it is raining.
- ✗ **DO NOT** touch the plug and/or socket with wet hands.
- ✗ **DO NOT** use the appliance if the electric cable is damaged. If the electric cable is damaged, it must be replaced by the manufacturer, one of its authorised Service Centres or similarly qualified persons in order to avoid a safety hazard.
- ✗ **DO NOT** use the appliance if important parts such as the safety devices, high pressure hoses, trigger or gun are damaged.

- ✗ **DO NOT** jam the trigger in the operating position.
 - ✓ Check that the data plate is affixed to the appliance. If not, inform your supplying stockist. Appliances without plates must NOT be used as they are unidentifiable and potentially dangerous.
 - ✗ **DO NOT** tamper with or adjust the setting of the safety valve or the safety devices.
 - ✗ **DO NOT** move the appliance by pulling on the ELECTRIC CABLE. Use the handle and transport by use of the wheels.
 - ✗ **DO NOT** allow vehicles to drive over the high pressure hose.
 - ✗ **DO NOT** move the appliance by pulling on the high pressure hose.
 - **WARNING!** Use the washer on a flat, level surface in an upright position. NEVER lay the washer down during use.
 - **WARNING!** When directed towards tyres, tyre valves or other pressurised components, the high pressure jet is potentially dangerous. **DO NOT** use the rotating nozzle kit, and always keep the jet at a distance of at least 30 cm during cleaning.
 - **WARNING!** The use of non-original accessories and any other spare parts not specifically intended for the model in question is prohibited. All modifications to the appliance are prohibited.
 - **WARNING!** The electric supply connection must be made by a qualified electrician and comply with IEC 60364-1. Either a residual current device that will cut off the power supply if the leakage current to earth exceeds 30 mA for 30 ms or a ground fault interrupt device must be installed.
 - **WARNING!** Use of a residual current breaker (RCB) will provide additional protection for the operator (30 mA).
 - **WARNING!** Always turn off the switch when leaving the appliance unattended. The machine must be attended during operation.
 - **WARNING!** High pressure may cause parts to rebound: wear all the protective clothing (PPE) and equipment needed to ensure the operator's safety.
 - **WARNING!** Before performing Maintenance, making adjustments to the appliance, converting to another function ALWAYS disconnect from mains supply.
 - ✓ Supply hose must be reinforced and have an internal diameter of 1/2" (13mm).
 - ✓ Water supply must be equal to cleaner capacity. Water temperature must not exceed 60°C. Water supply pressure must be to Specification (see Specification section below.)
 - ✓ Only use where air can circulate freely, **DO NOT** block ventilation grilles.
 - **WARNING!** Before pressing the trigger, GRIP the gun firmly to counteract the recoil.
 - **WARNING!** COMPLY WITH the local water supply authority regulations. The appliance may only be connected to the mains drinking water supply if the supply hose is fitted with a back-flow preventer valve.
 - **WARNING!** Water that has passed through a backflow preventer is considered to be non-potable.
 - **WARNING!** Maintenance and/or repair of electrical components MUST be carried out by suitably qualified staff.
 - **WARNING!** DISCHARGE residual pressure before disconnecting the hose from the appliance.
 - **WARNING!** CHECK before each use and at regular intervals that the screws are fully tightened and that there are no broken or worn parts.
 - **WARNING!** This appliance is designed for use with the detergent supplied or recommended by the manufacturer. The use of other detergents or chemicals may adversely affect the appliance's safety.
 - **WARNING!** To ensure the appliance's safety, only use original spare parts from the manufacturer or approved by the manufacturer.
 - **WARNING!** Switch the appliance off and disconnect it from the power supply before assembly, cleaning, adjustments, maintenance, storage and transportation.
- Commercial use:** This machine is not intended for use by persons (Including children) with reduced physical, sensory or mental capabilities, or lack of experience and knowledge.
- Not for commercial use:** This machine can be used by people with reduced physical, sensory or mental capabilities or lack of experience and knowledge if they have been given supervision or instruction concerning use of the machine in a safe way and understand the hazards involved.

2. INTRODUCTION

Ideal for cleaning vehicles, machinery, as well as patios and other outdoor surfaces. Brass quick release system allows for fast selection between nozzles and allows compatibility across the Sealey range of pressure washers and accessories. Pressure gun includes lock to avoid accidental start. 1200W motor produces up to 100bar of pressure with an impressive 390L/hr flow rate. Automatic Total Stop System (TSS) which switches the motor on and off when the trigger is operated, prolonging motor life. Self-priming motor can be used with a still water source for maximum portability. Supplied with 5m pressurized hose for ease of use and 5m power cable for extended reach. Supplied with Rotablast® nozzle, snow foam gun, adjustable fan nozzle and set of four interchangeable nozzles (0°, 15°, 25° and 40°) supplied on a lance storage sleeve.



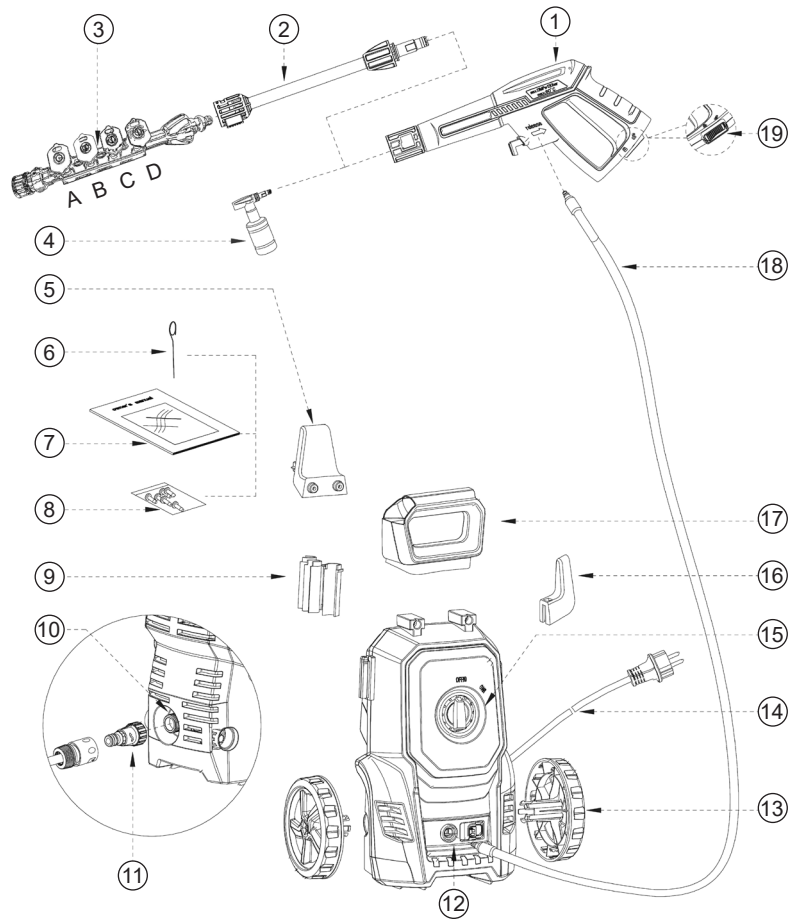
3. SPECIFICATION

Model No:	PW1610.V2
Effective Cleaning Power:	115bar(1668psi)
Fuse Rating:	13A
Hose length:	5m
IP rating:	IPX5
Maximum Inlet Pressure:	1.2bar
Maximum Pressure:	100bar(10MPa)(1450psi)
Maximum Water Flow:	6.5L/min 390L/hr
Motor Power:	1200W
Nett Weight:	5.44Kg

Nozzles:	Rotablast®, Adjustable Fan, Snow Foam Gun & 4pc Nozzle Set (0°, 15°, 25° & 40°)
Peak Water Temperature:	50°C
Plug Type:	3-Pin BS
Rated Pressure:	70bar(7MPa)(1015psi)
Rotablast Nozzle®:	Yes
Supply:	240V
Rated Water Flow:	5.5L/min
Noise Level/Rating Lwa:	75/88dB(A)
Vibration [m/s ²]:	2,089 m/s ²

4. CONTENTS

Item No.	Description
1	Wand
2	Middle extension lance
3	Main Lance
Red (A) Nozzle	0°
Yellow (B) Nozzle	15°
Green (C) Nozzle	25°
White (D) Nozzle	40°
4	Detergent Bottle
5	High pressure hose hook
6	Cleaning pin
7	Manual
8	Screws package
9	Gun holder
10	Water inlet opening
11	Water inlet connector
12	Water outlet opening
13	Wheel
14	Power cord
15	ON/OFF switch
16	Power Cable Hook
17	Short handle
18	High pressure hose
19	Lock-off switch

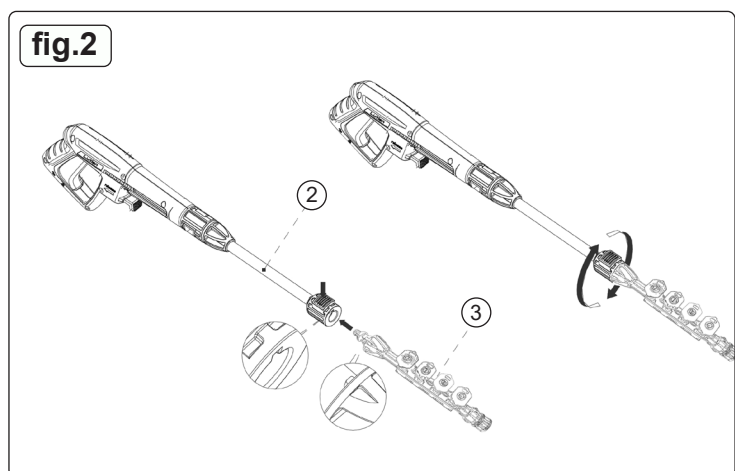
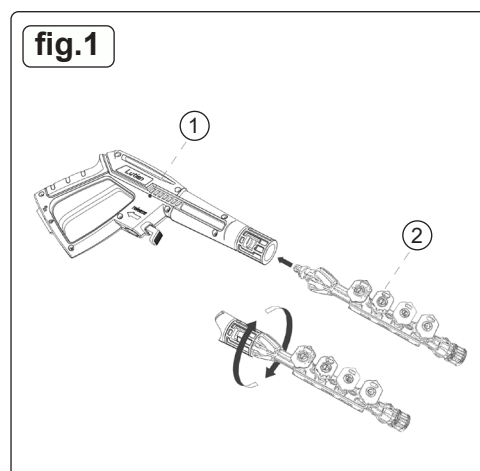


5. ASSEMBLY

5.1. ATTACH THE MIDDLE EXTENSION LANCE TO WAND (FIG.1 & 2)

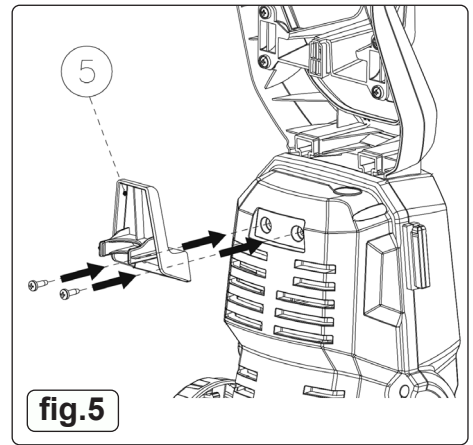
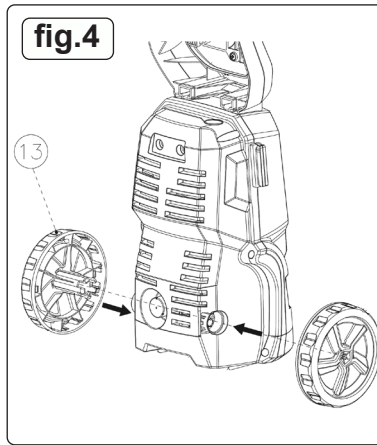
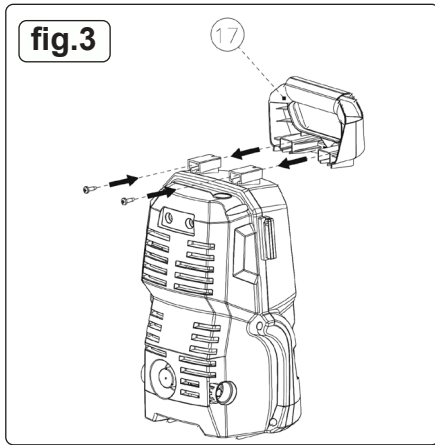
Note: When attaching, align the two projections on the middle extension lance with the grooves on the lance.

5.2. Attach the main lance to the middle extension lance.



5.3. MOUNTING THE HANDLE (FIG.3)

Screw the handle tight to the main unit (2 screws). **Note:** The screws will be packed together with the manual.



5.4. FIT WHEELS (FIG.4)

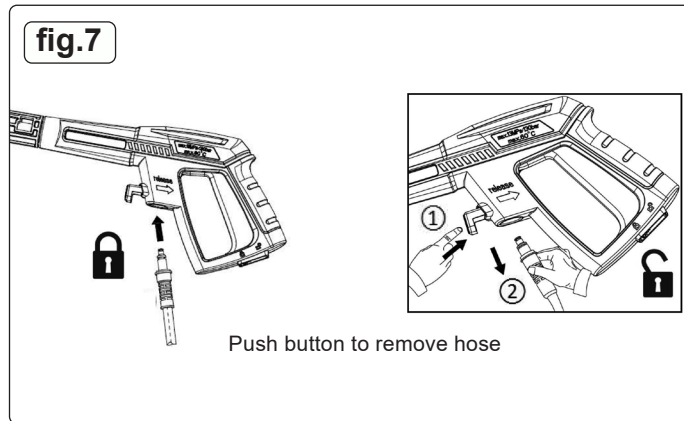
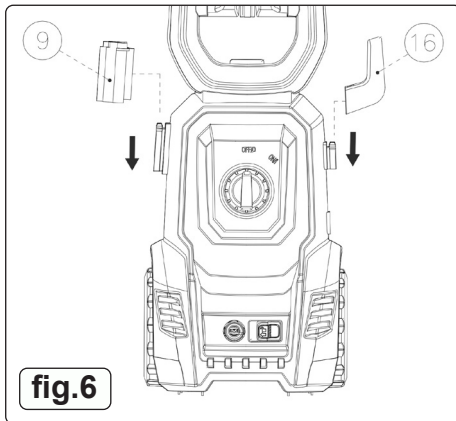
5.4.1. Align each wheel axle with corresponding shape on the body of the washer. Press to fit.

5.5. MOUNTING THE HIGH PRESSURE HOSE HOOK (FIG.5)

5.5.1. Screw the high pressure hose hook to the main unit (2 screws). The screws will be packed together with the manual.

Note: All screws are packed in one bag.

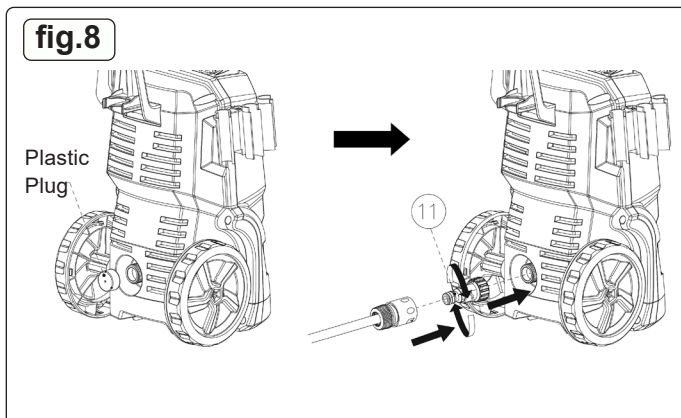
5.6. FIT GUN HOLDER AND POWER CABLE HOOK (FIG.6)



5.7. ATTACH & DETACH THE HIGH PRESSURE HOSE FIGS (7 & 7A)

5.7.1. **Attach:** one end of the high pressure hose to the pressure water outlet of the machine and the other end of the high pressure hose to the wand. **Note:** After the high pressure hose is connected, check the connection by gently pulling on the hose to ensure it stays connected.

5.7.2. **Detach:** To detach the hose, turn switch to OFF/II position and pull the trigger to drain water from wand. Push the lock button and pull to detach the high pressure hose.



5.8. ATTACH THE GARDEN HOSE (FIG.8)

5.8.1. Remove the plastic plug from the water inlet pipe of the machine and screw the water inlet connector onto the water inlet pipe.

5.8.2. Connect one end of the garden hose (not supplied) to the water inlet connector and another end to water source.

WARNING! The appliance is INTENDED to be used at temperatures above 0°C.

WARNING! Garden hose must not be damaged and leak. Inner diameter no less than 1/2", length can not be greater than 8m.

5.9. Connect to mains power.

6. OPERATION

WARNING! During operation appliance must be positioned on firm, stable surface. High pressure hose must not be coiled on the washer.

- ❑ **WARNING!** Check that the supply voltage and frequency correspond to those specified on the appliance data plate. The appliance should only be connected to a mains power supply via a security breaker (Max.30mA) to cut off the electricity supply in the instance of a short circuit.

6.1. START UP (FIG.9)

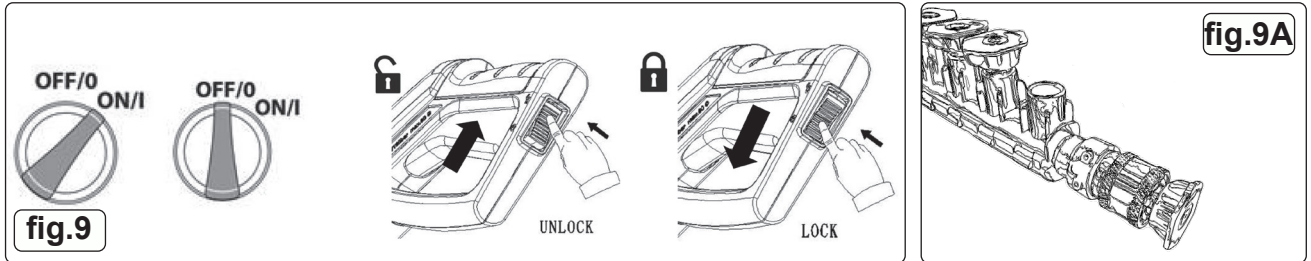
- 6.1.1. Turn water on. Squeeze trigger for approx. 1 minute until low pressure water flows out, to empty air out of the unit.

- ❑ **WARNING!** For use with cold water only.

Note: Before pressing trigger, make sure lock-off switch is in “unlock” position.

- 6.1.2. Turn the switch of the pressure wash to “ON/I” position, then press trigger.

- ❑ **WARNING! DO NOT** start the machine without connecting and turning on the water supply, it may cause damage to high pressure seals and reduce the service life of the pump.



6.2. CLEANING

- 6.2.1. Squeeze the trigger, high pressure water flow will come out.

- 6.2.2. Pull back quick release mechanism at the end of the main lance fig.9A, select the nozzle required and insert. Release the mechanism to change nozzle, store nozzle on the top of lance.

- ❑ **WARNING!** When operating the machine, it must only be used upright.

Note: Begin with the nozzle 1-2ft away from the surface and approach with caution until it reaches the desired position. Too close a spray may do harm to the surface.

- ❑ **WARNING! DO NOT** connect the machine to water supplies that are dirty, rusty, muddy, or corrosive: including window cleaning liquids, plant foods, or fertilizers etc.

- 6.2.3. When cleaning is finished, release the trigger and turn the switch to “OFF/O” position, then turn off the water supply.

Note: When not in use, make sure Lock-off switch is in “Lock” position.

Note: Using the pressure washer after water supply has been turned off, serious damage could occur to the pump and/or motor.

- ❑ **WARNING!** Never disconnect high pressure discharge hose from machine while system is pressurized. To de-pressurize, turn motor off, turn water supply off and squeeze gun trigger 2-3 times.

- 6.2.4. Disconnect from mains supply.

6.3. SAFETY VALVE/PRESSURE LIMITING VALVE

- ❑ **WARNING! DO NOT** tamper with or adjust the safety valve setting.

- 6.3.1. The safety valve is also a pressure limiting valve. When the gun trigger is released, the valve opens, pressure switch operates, the machine automatically shuts down. If the gun nozzle is blocked, this will cause the machine pressure to rise, the safety valve opens, and the pressure switch activates, the machine automatically shut down.

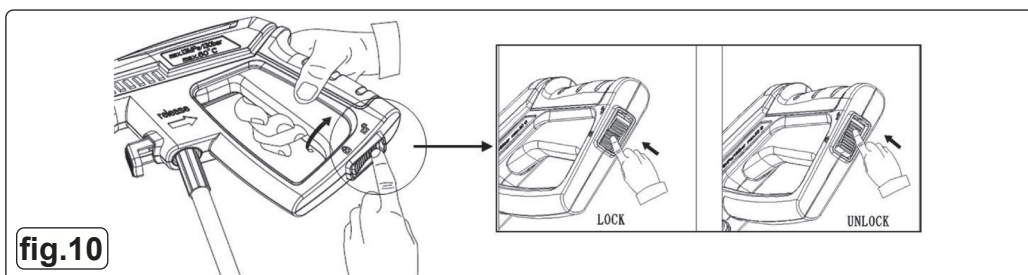
- 6.3.2. Refer to section 7.2 to use a needle to clean the nozzle.

6.4. GUN SAFETY BUTTON (FIG.10)

- 6.4.1. Operator needs to press the unlock button and then actuate the trigger to release spray.

- 6.4.2. When trigger is released, trigger will return to the off position automatically.

- 6.4.3. When not using the pressure cleaner, press the lock button to keep from accidentally engaging the high pressure spray.

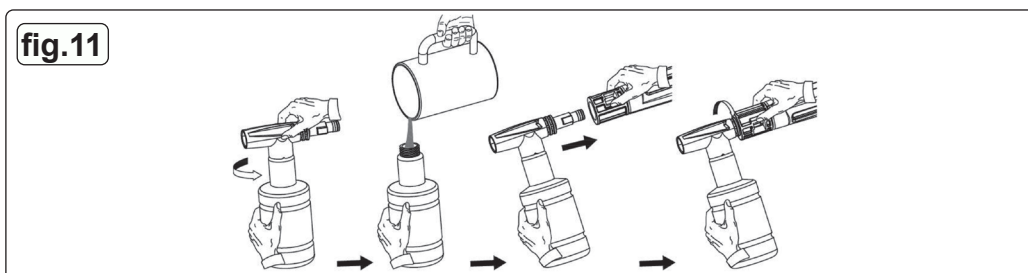


6.5. HOLDING THE GUN

- 6.5.1. Hold the gun correctly to resist kickback force: one hand on the handle, one on the lance.

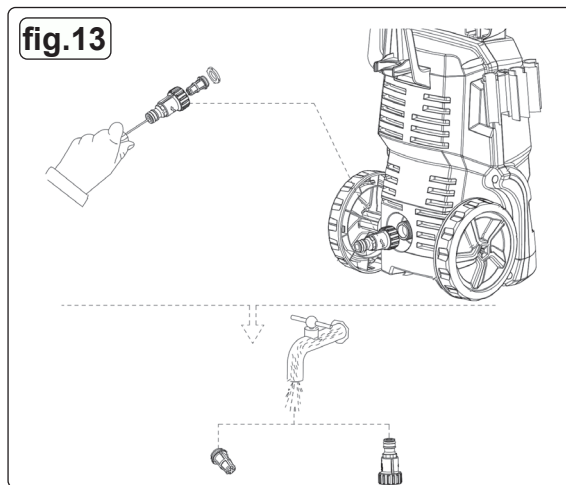
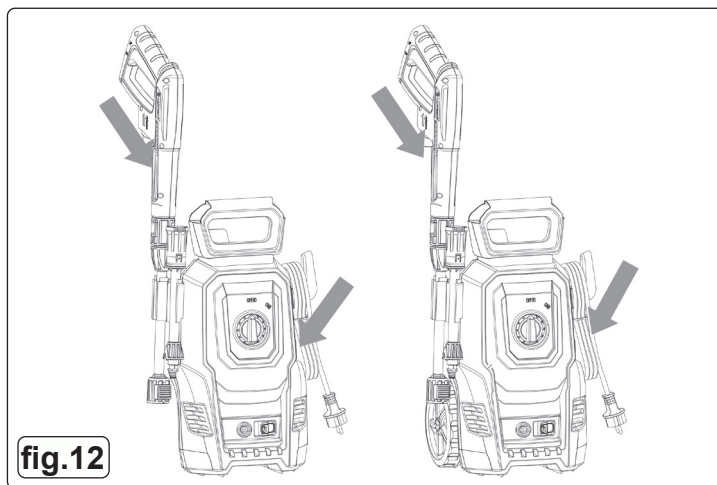
6.6. TO WASH WITH DETERGENT (FIG.11)

- 6.6.1. Fill bottle with a recommended detergent or cleaner with a water ratio according to instructions on the container. Connect nozzle to lance.



- 6.6.2. Squeeze the wand trigger, detergent will come out through the nozzle.

- 6.6.3. Apply detergent so it thoroughly covers cleaning surface.
- 6.6.4. Allow detergent to remain on the surface for a few minutes. Use a brush to lightly scrub heavily soiled areas.
- 6.6.5. Change to spray nozzle, Rinse detergent from surface.
- 6.6.6. **Cleaning up:** Always draw fresh water through the detergent bottle when done to flush any remaining detergents from the injection system. The bottle could be detached if necessary.
- 6.7. **PLACEMENT OF ACCESSORIES ON THE MACHINE (FIG.12)**
- 6.7.1. Gun, power lead, hose and accessories are placed as shown below.



7. MAINTENANCE

- ❑ **WARNING!** Always disconnect from mains supply before carrying out any work on the appliance.
Note: Any maintenance operations not covered by this chapter should be carried out by an properly qualified persons or the manufacturer.

7.1. CLEANING OF WATER INLET FILTER (FIG.13)

- 7.1.1. Water filter installed inside the water inlet connector, should be cleaned periodically. Rinse with clean tap water, and then place it back into the water inlet connector.

7.2. CLEANING THE NOZZLE (FIG.14)

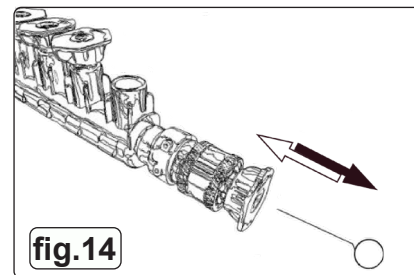
- 7.2.1. Using the nozzle tip cleaner provided (or an unfolded paper clip), insert the wire into the nozzle hole and move back and forth until debris is dislodged. Back flush water through the nozzles using garden hose and highest pressure available (either standard water nozzle or use your thumb over the nozzle to create water pressure for back flush).

7.3. CLEANING OF MACHINE VENTS

- 7.3.1. The machine should be kept clean so as to let cooling air pass freely through the machine vents.

7.4. GREASE COUPLINGS

- 7.4.1. To ensure easy connection and that o-rings work effectively, the couplings should be greased regularly.



8. STORAGE

- 8.1. Disconnect the water source, turn on the pressure washer for a few seconds until the remaining water flows out, then turn it off quickly.
- 8.2. Unplug the power supply.
- 8.3. Disconnect the high pressure hose and the garden hose, and coil high pressure hose for storage.
- 8.4. Store in a frost free area with a temperature above 0°C.

9. TROUBLESHOOTING

Symptom	Cause	Recommended action
PROBLEM	REASON	ACTION
Machine refuses to run	a). Machine not plugged in. b). Defective socket. c). Fuse has blown. d). Defective extension cable.	a). Plug in machine. b). Try another socket. c). Replace fuse. d). Try without extension cable.
Fluctuating pressure	a). Pump sucking air. b). Valves dirty, worn or stuck. c). Pump seals worn out.	a). Check that hoses and connections are airtight. b). Clean and replace or return for repair. c). Clean and replace or return for repair.
Machine stops	a). Fuse has blown. b). Incorrect mains voltage. c). Thermal sensor activated. d). Nozzle partially blocked.	a). Replace fuse. b). Switch off machine. b). Check that the mains voltage corresponds to specification on the model tag. c). Leave the washer for 5 minutes to cool down. d). Clean the nozzle.
Fuse blows	a). Fuse too small.	a). Change to an installation higher than the amps consumption of the machine. b). Try without an extension cable.

Machine pulsating	a). Air in inlet hose/pump. b). Inadequate supply of mains water. c). Nozzle partially blocked. d). Water filter blocked. e). Hose kinked.	a). Allow machine to run with open trigger until regular working pressure resumes. b). Check that the water supply corresponds to specifications required. c). Clean the nozzle. d). Clean the filter. e). Straighten out hose.
Machine often starts and stops by itself	a). Pump/hose or accessory frozen. b). No water supply. c). Water filter blocked. d). Nozzle blocked.	a). Wait for pump/hoses or accessory to thaw. b). Connect inlet water. c). Clean the filter. d). Clean the nozzle.
Machine starts, but no water comes out	a). Pump/hose or accessory frozen. b). No water supply. c). Water filter blocked. d). Nozzle blocked.	a). Wait for pump/hoses or accessory to thaw. b). Connect inlet water. c). Clean the filter. d). Clean the nozzle.



WEEE REGULATIONS

Dispose of this product at the end of its working life in compliance with the EU Directive on Waste Electrical and Electronic Equipment (WEEE). When the product is no longer required, it must be disposed of in an environmentally protective way. Contact your local solid waste authority for recycling information.



ENVIRONMENT PROTECTION

Recycle unwanted materials instead of disposing of them as waste. All tools, accessories and packaging should be sorted, taken to a recycling centre and disposed of in a manner which is compatible with the environment. When the product becomes completely unserviceable and requires disposal, drain any fluids (if applicable) into approved containers and dispose of the product and fluids according to local regulations.



REGISTER YOUR PURCHASE HERE

Note: It is our policy to continually improve products and as such we reserve the right to alter data, specifications and component parts without prior notice. Please note that other versions of this product are available. If you require documentation for alternative versions, please email or call our technical team on technical@sealey.co.uk or 01284 757505.

Important: No Liability is accepted for incorrect use of this product.

Warranty: Guarantee is 12 months from purchase date, proof of which is required for any claim.

Sealey Group, Kempson Way, Suffolk Business Park, Bury St Edmunds, Suffolk. IP32 7AR



01284 757500



sales@sealey.co.uk



www.sealey.co.uk