



# 100L OIL FREE BELT DRIVE VERTICAL COMPRESSOR 2.5HP

MODEL NO's: **SAC100V**

Thank you for purchasing a Sealey product. Manufactured to a high standard, this product will, if used according to these instructions, and properly maintained, give you years of trouble free performance.

**IMPORTANT:** PLEASE READ THESE INSTRUCTIONS CAREFULLY. NOTE THE SAFE OPERATIONAL REQUIREMENTS, WARNINGS & CAUTIONS. USE THE PRODUCT CORRECTLY AND WITH CARE FOR THE PURPOSE FOR WHICH IT IS INTENDED. FAILURE TO DO SO MAY CAUSE DAMAGE AND/OR PERSONAL INJURY AND WILL INVALIDATE THE WARRANTY. KEEP THESE INSTRUCTIONS SAFE FOR FUTURE USE.



Refer to instructions



Wear eye protection



Wear ear protection



**WARNING:**  
High Voltage



**WARNING:**  
Hot surface



**WARNING:**  
Automatic start up



Indoor use only



**DO NOT** open the air cock before an air hose is attached



Work in progress

## 1. SAFETY

### 1.1. ELECTRICAL SAFETY

- WARNING!** It is the user's responsibility to check the following:
- ✓ Check all electrical equipment and appliances to ensure that they are safe before using.
- ✓ Inspect power supply leads, plugs and all electrical connections for wear and damage.
- ✓ Ensure that the insulation on all cables and on the appliance is safe before connecting it to the power supply.
- ✗ **DO NOT** use worn or damaged cables, plugs or connectors.
- ✓ Ensure that any faulty item is repaired or replaced immediately by a Sealey qualified technician.
- ✓ If the cable or plug is damaged during use, switch off the electricity supply and remove from use.
- ✓ Sealey recommend that an RCD (Residual Current Device) is used with all electrical products.
- IMPORTANT:** Ensure that the voltage rating on the appliance suits the mains power supply.
- ✗ **DO NOT** pull or carry the appliance by the power cable.
- ✗ **DO NOT** pull the plug from the socket by the cable.

**1.1.1. OVER-CURRENT PROTECTION:** The user has to make provision for the installation of the over-current protection of the power circuit in accordance with EN 60204-1:2006.

**NOTE:** If using a transformer to supply the compressor, it must be rated at a minimum of 2kVA to allow the compressor to run efficiently.

### 1.2. ELECTRICAL DISCONNECTING DEVICE

1.2.1. A reference to the supply disconnection device is to be in accordance with EN 60204-1:2006.

### 1.3. GENERAL SAFETY

- ✓ Before you connect the equipment to the mains supply make sure that the data on the rating plate are identical to the mains data.
- ✓ Familiarise yourself with the application and limitations of the compressor. Only instructed personnel shall use this appliance.
- ✓ Ensure the compressor is in good order and condition before use. If in any doubt **DO NOT** use the unit and contact your Sealey Stockist.
- ✓ Operation must be with all guards, covers, lids and enclosures correctly in place.
- ✓ Fully assemble the compressor before using for the first time.
- ✓ The concentration of processed gases that can displace breathing air shall be kept within acceptable levels. Reference EN 12021 for acceptable levels of contaminants in breathing air.
- ✓ Remove from mains supply when performing maintenance or inspections.
- WARNING!** Item must be serviced by an authorised agent. **DO NOT** tamper with or attempt to adjust pressure switch or safety valve.
- ✗ **DO NOT** carry out any welding operations on any pressurised part of the vessel.
- ✓ Before moving, or maintaining the compressor ensure it is unplugged from the mains supply and that the air tank pressure has been vented.
- ✓ Maintain the compressor in good condition and replace any damaged or worn parts. Use genuine parts only. Unauthorised parts may be dangerous and will invalidate your warranty.
- WARNING!** All hoses and fittings shall be suitable for site use at the maximum allowable pressure of the portable compressor. Delivery hoses should be fitted with a safety cord.
- WARNING!** In the event that an airline is cut or broken, the air supply must be turned off at the compressor. A broken airline which is not supported is extremely dangerous and can whip around very quickly, both with the capability of striking people and blowing foreign particles into the air.
- WARNING!** It is essential to use separators, water traps and draining facilities to process liquids produced by the compressor before putting the unit into use.

### 1.4. COMPRESSORS IN USE AT AMBIENT TEMPERATURES BELOW 0°C

The compressor may only be used in suitable rooms (with good ventilation and an ambient temperature from +5°C to +40°C). Ensure there is no dust, acids, vapours, explosive gases, or flammable gases in the room. The air intake should be from a clean, outside air source.

- WARNING!** To prevent ice and snow from affecting a compressor, keep air intakes, vents, and moving parts clear of buildup. Use protective covers, heated or insulated housings, and ensure proper drainage. Regularly inspect and remove any ice or snow to maintain airflow and reliable operation in cold conditions.
- WARNING!** The pressure relief device and intake air filters may become blocked by debris or dust. Operating the compressor with blocked components can lead to overpressure, reduced airflow, or equipment damage. Always inspect and clean these parts before use to ensure safe and efficient operation.
- ✓ The inlet pressure and temperature of a compressor are crucial for safe and efficient operation. Proper inlet pressure ensures the compressor delivers the desired output without overloading, while correct inlet temperature prevents overheating or mechanical damage. Monitoring these parameters helps maintain performance and prolong the life of the equipment.
- WARNING!** To prevent freezing in cooling water systems, water traps, valves, fittings, and areas where condensation can accumulate, regular preventative actions are essential.

These include proper insulation, maintaining adequate water flow, using antifreeze where appropriate, and routinely checking for and draining any collected condensation. Such measures ensure the system operates reliably and avoids damage from frozen components.

- ✓ Read the instructions relating to any accessory to be used with this compressor.
- ✓ Ensure the safe working pressure of any air appliance used exceeds the compressors output pressure. If using a spray gun, check that the area selected for spraying is provided with an air change system/ventilation.
- **WARNING!** Ensure the air supply valve is turned off before disconnecting the air supply hose.
- ✓ To move a transportable compressor use the handle only. See fig.2 below.
- ✓ Use the compressor in a well ventilated area and ensure it is placed on a firm surface.
- ✓ Keep tools and other items away from the compressor when it is in use, and keep area clean and clear of unnecessary items.
- ✓ Ensure the air hose is not tangled, twisted or pinched.
- ✓ Keep children and unauthorised persons away from the working area.
- ✗ **DO NOT** disassemble compressor for any reason. The unit must be checked by qualified personnel only.
- ✗ **DO NOT** use the compressor outdoors, or in damp, or wet, locations.
- ✗ **DO NOT** operate within the vicinity of flammable liquids, gases or solids.
- ✗ **DO NOT** touch compressor cylinder head or pipe from the head to tank as these may be hot. **DO NOT** remove covers.
- ✗ **DO NOT** use this product to perform a task for which it has not been designed.
- ✗ **DO NOT** deface the certification plate attached to the compressor tank.
- ✗ **DO NOT** cover the compressor or restrict air flow around the unit whilst operating.
- ▲ **DANGER!** **DO NOT** direct the output jet of air towards people or animals.
- ✗ **DO NOT** operate the compressor without an air filter.
- ✗ **DO NOT** allow anyone to operate the compressor unless they have received full instructions.
- **WARNING!** The air tank is a pressure vessel and the following safety measures apply:
  - ✗ **DO NOT** tamper with the safety valve, **DO NOT** modify or alter the tank in any way and **DO NOT** strap anything to the tank.
  - ✗ **DO NOT** subject the tank to impact, vibration or to heat and **DO NOT** allow contact with abrasives or corrosives.
- ✓ Drain condensation from tank daily and inspect inside walls for corrosion every three months and have a detailed tank inspection carried out annually. The tank shell must not fall below the certified thickness at any point.
- **WARNING!** If an electrical fuse blows, ensure it is replaced with an identical fuse type and rating.
- ✓ When not in use, store the compressor carefully in a safe, dry, childproof location.
- ✓ When the compressor is not in use, it should be switched off, disconnected from the mains supply and the air drained from the tank.
- ✓ Under the PRESSURE SYSTEMS SAFETY REGULATIONS 2000 it is the responsibility of the owner of the compressor to initiate a system of inspection that both defines the frequency of the inspection and appoints a person who has specific responsibility for carrying out the inspection.
- **WARNING!** No welding operations are to be carried out on pressurised parts of the vessel.
- **WARNING!** All hoses and fittings shall be suitable for the site use at the maximum allowable pressure of the portable compressor.
- **WARNING!** Hot surfaces on a compressor include areas such as the cylinder heads, exhaust pipes, intercoolers, and motor or engine components. These surfaces can reach high temperatures during operation and pose a burn hazard. Proper labeling, insulation, and caution when working near these areas are essential to ensure safety.

## 2. INTRODUCTION

Aluminium cylinder head with cast iron cylinder gives added resistance to wear. Fitted with fully automatic pressure cut-out switch and air regulator with gauge. Suitable for all general-purpose workshop applications. Vertical tank saves floor space which makes it perfect for small workshops. Fitted with 3-pin plug.

## 3. SPECIFICATION

Model No:	SAC100V
Air Displacement cfm(L/min):	8.3(235)
Size (W x D x H):	490 x 490 x 1100mm
Maximum Free Air Delivery cfm(L/min):	4.4(125)
Maximum Pressure:	116psi(8bar)
Motor Output:	2.5hp
Nett Weight:	40.8kg
Noise Level:	96dB(A)
Noise test code:	EN ISO 2151:2008

### ADDITIONAL SPECIFICATION:

Short circuit current rating for each incoming power supply: 24A.

Full load current for each incoming supply: 7A.

Intended media: Air.

Inlet discharge pressure and temperatures: 0.1MPa/25°C.

Maximum pressure ratio: 8:1

Maximum speed of the unit: 2800RPM.

Minimum speed of the unit: 2600 RPM

Tank Thickness: 2.75 mm

Noise Test Code: EN ISO 2151:2008.

Pressure and flow rate. (Pressure relief device.): 7 Bar.

Flow rate: 100.

Environmental limitations: 5°C - 40°C.

Outlet:	Quick Release Coupling
Phase:	1ph
Plug Type:	3-Pin
Power Supply Cable Length:	1.8M
Receiver Capacity:	100L
Speed:	2800rpm
Supply:	230V/13A
Applied Standards:	EN60204-1:2018

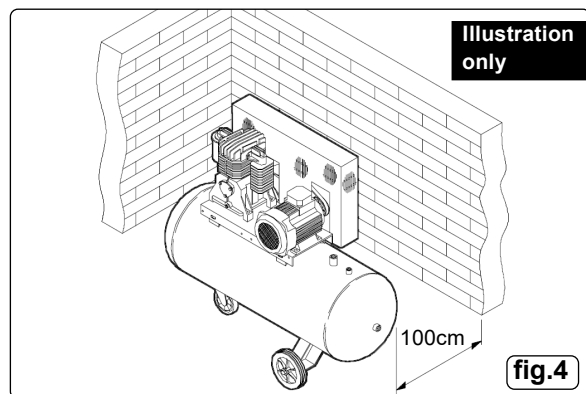
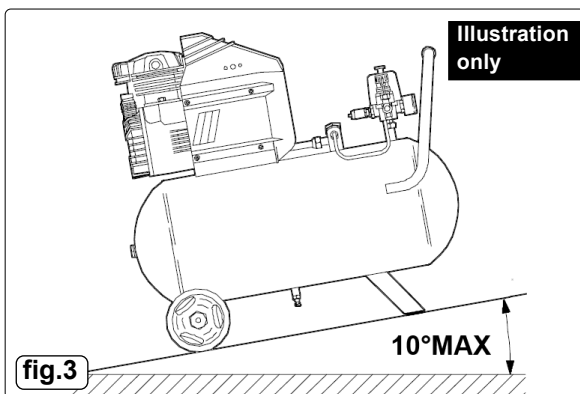
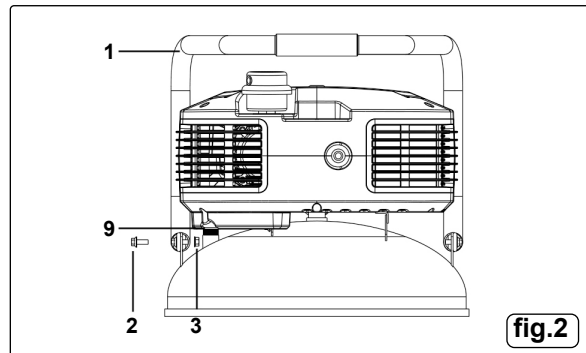
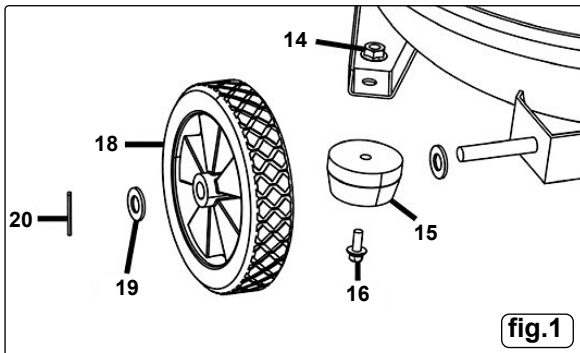
1	Air Filter
2	Tank Handle
3	ON/OFF Switch
4	Air Outlet
5	Regulator
6	Safety Valve
7	Tank 50ltr
8	Rubber Foot
9	Drain Valve
10	Wheel



SAC100V

## 4. ASSEMBLY

- 4.1. Remove compressor from packaging and inspect for shortages/damage. If items are missing or damaged contact your supplier.
- 4.2. Save the packing material for future transportation of the compressor. We recommend that you store the packing in a safe location, at least for the period of the guarantee. Then, if necessary, it will be easier to send the compressor to the service centre.
- 4.3. **FITTING THE WHEELS**  
Assemble the Wheels, and Rubber Feet using the parts list as a reference, attach the fixed wheels, and rubber feet to the base of the compressor. Refer to fig.1 for the correct placement and orientation of each component.
- 4.4. **FITTING THE TRANSPORT HANDLE**  
Attach the handle to the compressor pump brackets using the appropriate bolts, washers, and nuts from the parts list, ensuring the mounting holes are properly aligned. Secure the handle firmly in place by tightening all fasteners evenly, and refer to fig.2 for correct positioning and orientation.
- 4.5. **ATTACHING THE AIR FILTER**  
Screw the air filter securely onto the top of the compressor, making sure it is properly aligned. Use the parts list as a reference to identify the filter, tighten it firmly by hand to ensure a proper seal.
- 4.6. Position the compressor on a flat surface or with a maximum permissible inclination of 10° (fig.3). Site in a well ventilated area, protected against atmospheric pollution and not in a place subject to explosion hazard. If the surface is inclined and smooth, check if the compressor moves whilst in operation – if it does, secure the wheels with two wedges. If the surface is in a raised position, make sure it cannot fall, securing it in a suitable way.



- 4.7. **INSTALLING**
- 4.8. Confirm that the mains voltage corresponds with the voltage shown on the compressor data plate.
- 4.9. To ensure good ventilation and efficient cooling, the compressor's must be at least 100cm from any wall (fig.4). Compressors with fixed feet should not be rigidly secured to the floor.
- 4.10. Take care to transport the compressor correctly, **DO NOT** overturn it or lift it with hooks or ropes.

## 5. OPERATION

- ❑ **WARNING!** Ensure that you have read, understood and apply Section 1 Safety Instructions.  
**IMPORTANT!** Use of extension leads to connect these compressors to the mains is not recommended as the resulting voltage drop reduces motor and therefore pump performance, and could damage the compressor.

**NOTE:** Take care when selecting tools for use with the compressor.

Air tool manufacturers normally express the volume of air required to operate a tool in cubic feet per minute (cfm). This refers to free air delivered by the compressor ('air out') which varies according to the pressure setting.

**DO NOT** confuse this with the compressor displacement which is the air taken in by the compressor ('air in'). 'Air out' is always less than 'air in' due to losses within the compressor.

### 5.1. STARTING / STOPPING THE COMPRESSOR

- 5.1.1. To turn the compressor on use the switch seen in photo (fig.6.1). pull the switch up to position 'I' to start the compressor and down to position 'O' to stop it.
- 5.1.2. Check that the ON/OFF switch is in the 'O' position. The regulator tap (fig.7.2) should be closed and the output gauge (fig.7.5) must read Zero '0' bar.
- 5.1.3. Plug into mains supply and start the compressor by pulling the switch up to the 'I' position.
- 5.1.4. When starting the compressor for the first time, leave it running with no air tools connected to the air outlet. Make sure that pressure in the tank rises and that the compressor stops automatically when the maximum pressure value allowed - written on the plate and shown on the gauge (fig.7.4) - is achieved. The compressor will now operate automatically. The pressure switch stops the motor when the maximum tank pressure is reached and restarts it when the pressure falls below the minimum threshold. - approx. 8.27 bar (120psi) less than the maximum pressure.

- 5.1.5. Stop the compressor by pushing the main switch to the 'O' position. The compressed air inside the compressor head will flow out, making the restart easier and preventing the motor from being damaged.

## 5.2. EMERGENCY STOP

- ✘ **DO NOT**, other than in an emergency, stop the compressor by switching off at the mains socket, or by pulling the plug out, as the pressure relief will not then operate and motor damage may result upon restart.

- 5.3. Disconnect compressor from the mains power supply after use.

- 5.4. Set the outlet pressure on the regulator to zero.

- 5.5. Remove the air line and air tool.

- 5.6. The tank must now be drained. Release the air left in the tank. After, drain away condensation that may have formed within the tank. Choose a suitable location for this operation and/or make provision to collect the condensation.

**IMPORTANT: Wear ear and eye protection.**

- ❑ **WARNING!** Water that is allowed to remain in the tank during storage will corrode and weaken the air tank, which could cause the tank to rupture. To avoid serious injury, drain the tank on a daily basis.

## 5.7. SAFETY FEATURES

- 5.7.1. The motor of the compressor is fitted with a thermal breaker located in the housing at the rear of the motor. The manual resetting button is located in the end of the housing as shown in fig.11A. When the breaker is tripped, wait for a few minutes and then press the reset button.

- 5.7.2. The output pressure is regulated by the pressure regulator (fig.7.2). Turn the knob clockwise to increase pressure and anticlockwise to reduce it. Lock knob in position at required pressure with locking ring. To determine the correct working pressure for any piece of equipment, check the corresponding manual. When the compressor is not being used, set the regulated pressure to zero so as to avoid damaging the pressure regulator.

**NOTE:**

A) If the motor does not cut in and out, but runs continuously when using an air appliance, the capacity of the compressor may be too small for the equipment or tool.

B) The gauge (fig.7.4) indicates the pressure inside the main tank, **NOT** the pressure supplied to the air equipment, which is shown on the other gauge (fig.7.5). Should the pressure in the main tank exceed the pre-set switch maximum, the safety valve (fig.8.5) will activate.

- ❑ **WARNING! DO NOT** tamper with, or adjust, the switch or safety valve.

## 6. MAINTENANCE

- 6.1. **ACTIONS TO PREVENT STARTING AUTOMATICALLY OR FROM A REMOTE POSITION WHEN THE COMPRESSOR IS BEING SERVICED, MAINTAINED OR INSPECTED.**

- ❑ **WARNING!** Before performing any maintenance operation, switch off the compressor, disconnect from electricity supply and release all air from the tank. In order to keep the compressor in good working condition, periodic maintenance is essential.

- 6.2. Regular periodic maintenance on your air compressor will ensure its optimum performance. Make a habit of inspecting the following items before each time you use the air compressor.

### 6.3. CHECK THE FOLLOWING ITEMS

- 6.3.1. Drain the tank of any condensation by opening the drain valve on the bottom of the tank. Fig.10. **NOTE:** Depending upon the amount of use and weather conditions, a certain amount of condensed water may be released. For longevity of the compressor seals and the air tools you connect, it is best to keep the tank free of water.

The tank is best drained if the drain valve is opened when the system is slightly pressurised. Once water has stopped coming out, you can close the drain valve.

- 6.3.2. Clean off cylinder head cooling fins of any dirt which might hamper air flow.

- 6.3.3. Check for worn or damaged cords and plugs.

- 6.3.4. Check for any other condition that could hamper the safe operation of the compressor.

### 6.4. CLEANING THE AIR FILTER

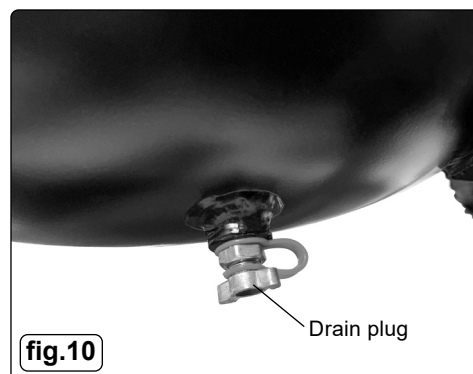
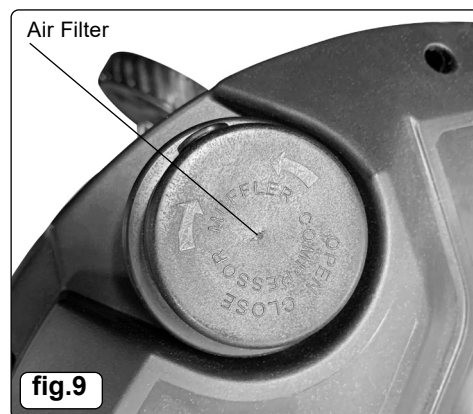
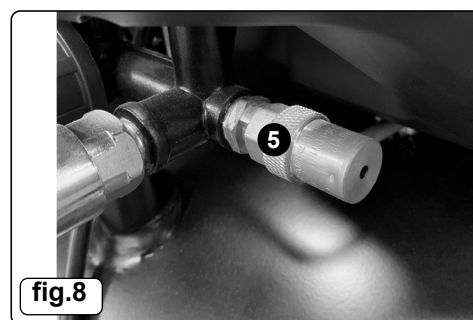
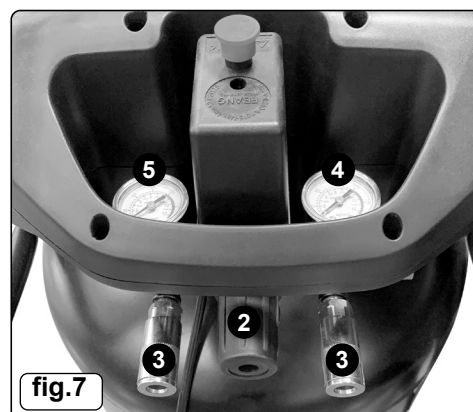
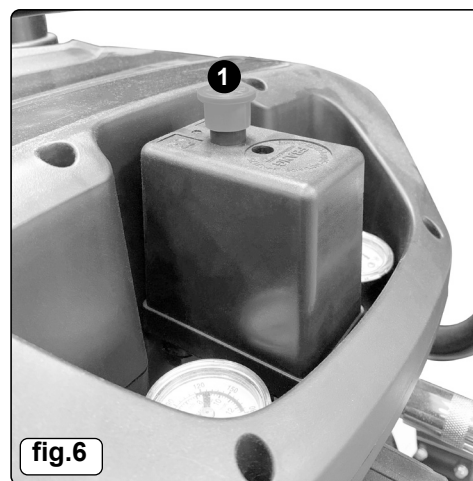
- 6.4.1. The air filter prevents dust and dirt being drawn in. It is essential to clean the filter at least after every 300 hours in service. Clogged air filters will decrease the performance of the compressor dramatically. See fig.9.

- ❑ **IMPORTANT WARNING** - Air contaminants taken into the compressor will affect optimum performance.

**Example:** Body filler dust or paint overspray will clog the pump intake filter and may cause internal damage to pump/motor components. Please note that any parts damaged by any type of contamination will not be covered by warranty.

### 6.5. SAFETY RELIEF VALVE

- 6.5.1. The safety relief valve shown in Figure 8 is set to the maximum permissible pressure of the tank. Do not adjust the valve or remove its seal, as this is strictly prohibited. The safety relief valve operates automatically.



However, it should be manually actuated periodically to ensure proper functionality. To test the valve, pull the ring firmly until you hear compressed air being released, then release the ring again. This confirms that the valve will operate correctly in case of overpressure.

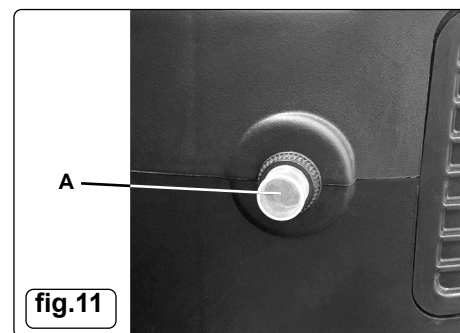


fig.11

#### 6.6. PRESSURE SWITCHES, ELECTRICAL COMPONENTS

- ❑ **WARNING!** Please refer any maintenance of pressure switches, electrical components and pump to qualified compressor technicians.
- ❑ **WARNING!** Restrict availability of keys or tools to skilled or instructed persons only. Maintenance will only be carried out by trained personnel.
- IMPORTANT!** Failure to carry out maintenance tasks may invalidate the warranty on your compressor.
- ❑ **WARNING!** Display warning signs (see alongside) against reconnection whilst the compressor is being repaired such as:

#### \* DO NOT START. MAINTENANCE WORK IN PROGRESS.

#### 6.7. AFTER THE FIRST 10 HOUR OF USE

6.8. After the first 10 working hours or 30 days, whichever comes first, perform the following maintenance:

- 6.8.1. To maintain the air filter, first remove it from its housing and open the two halves of the housing. Using low-pressure compressed air (approximately 40 PSI), carefully blow out all parts of the filter to remove any accumulated dirt and debris. Once cleaned, reassemble the air filter by reversing the disassembly steps, ensuring it is properly seated to maintain optimal performance.

#### 6.9. PREVENTATIVE MAINTENANCE FOR FIRE SAFETY

6.9.1. Proper preventative maintenance is essential for the safe and efficient operation of an air compressor and helps minimize the risk of fire. Regular inspections should be conducted according to the manufacturer's recommended schedule. This includes checking for signs of wear and tear, such as frayed wires, leaking fluids, or damaged components, and addressing any issues promptly. For oil-less compressors, ensure they are operated only as designed, keeping all components clean and well-maintained to prevent overheating and reduce fire hazards.

#### 6.10. WEEKLY

- 6.10.1. If the compressor is used on a daily basis, perform the following checks each week:  
 6.10.2. Clean the air filter foam element.  
 6.10.3. Check for loose bolts or fittings.

#### 6.11. EVERY 300 HOURS

- 6.12. After every 300 hours or 3 months of regular operation, perform the following maintenance items:  
 6.12.1. Clean the air filter foam element.  
 6.12.2. Check for air leaks and correct as needed.  
 6.12.3. Clean the cylinder head fins for proper cooling.  
 6.12.4. Check for loose bolts or fittings.

#### 6.13. INSPECTION OF PRESSURE TANK BOTH INSIDE AND OUT

6.13.1. Under the PRESSURE SYSTEMS SAFETY REGULATIONS 2000 it is the responsibility of the owner of the compressor to initiate a system of inspection that both defines the frequency of the inspection and appoints a person who has specific responsibility for carrying out the inspection.

#### 6.14. STORAGE WHEN NOT IN USE

- 6.15. When storing your air compressor follow these guidelines:  
 6.16. Set the ON/OFF button to OFF.  
 6.17. Turn the regulator counterclockwise to set the delivery pressure to zero.  
 6.18. Disconnect air tools or accessories.  
 6.19. Pull the safety drain valve to bleed excess pressure from tank. The pressure gauge for the tank should read just under 1bar.  
 6.20. Drain water from the tank by opening the drain valve on the bottom of the tank.  
 6.21. Close the drain valve when all the water has been released.  
 6.22. Store the air compressor in its normal operating position in a cool and dry, childproof location.

#### 6.23. TRANSPORT

- 6.23.1. Remove air from tank before transporting the compressor.  
 ❑ **WARNING!** Care must be taken when transporting the compressor. Always use the handle and wheels to move it, and avoid lifting or dragging the unit to prevent injury or damage.

#### 6.24. SUPPLY CORDS

6.25. If the replacement of the supply cord is necessary, this has to be done by the manufacturer or a Sealey Service Agent in order to avoid a safety hazard.

#### 6.26. PIPING SYSTEM

❑ **WARNING!** If connecting the compressor to a pipe system a flexi pipe must be installed at the start of the system.

#### 6.27. RESTARTING THE COMPRESSOR AFTER AN UNEXPECTED STOP

- 6.27.1. Make sure the electrical cable/plug is not damaged. Check fuse in plug. If compressor does not restart.  
 6.27.2. Check the thermal breaker, reset if required. See 5.7.1 for resetting.  
 6.27.3. If you are concerned about any of your findings from performing these checks then contact Sealey Service Centre who will be able to assist you in rectifying them.

#### 6.28. OPERATION METHOD IN THE EVENT OF AN ACCIDENT OR BREAKDOWN

6.28.1. In the event of an accident or breakdown, immediately shut down the compressor and isolate it from the power or air supply. Warn personnel in the area, follow emergency procedures, and avoid attempting repairs while the system is pressurized. Only trained personnel should inspect, troubleshoot, and restore operation to ensure safety and prevent further damage.

#### 6.29. REMOVING COMPRESSOR FOR SERVICING OR REMOVAL

- 6.29.1. Space required for the removal or servicing. Allow 30cm minimum free space around the machine.  
 ❑ **WARNING!** The risk of inhalation gases, mists and fumes on a compressor. Inhalation of gases, mists, and fumes around a compressor can pose serious health risks if leaks, overheating, or poor ventilation occur.



DO NOT START



MAINTENANCE  
WORK IN  
PROGRESS

Toxic or oxygen-displacing gases can cause breathing difficulties, dizziness, or even asphyxiation, while oil mists and fumes from overheated components may irritate the lungs and lead to long-term respiratory problems. These hazards are often invisible and can build up quickly in enclosed spaces, making proper maintenance, ventilation, and monitoring essential for safe compressor operation.

## 7. TROUBLE SHOOTING

Fault	Cause	Remedy
Pressure drop in the tank.	Air leaks at connections.	Run compressor to max. pressure, switch off. Brush soap solution over connections and look for bubbles. Tighten connections showing leaks. If problem persists contact Authorised Service Agent.
Compressor stops and does not restart.	Power failure. Motor failure.	Check electricity supply and fuse. Contact Authorised Service Agent.
Compressor does not stop at max pressure.	Pressure switch fault.	Turn compressor off immediately. Contact Authorised Service Agent.
Compressor does not reach max pressure.	Filter clogged. Head gasket or valve fault.	Replace filter element. Contact Authorised Service Agent.
Compressor noisy with metallic knock.	Bearing or piston damage.	Turn compressor off immediately. Contact Authorised Service Agent.



### ENVIRONMENT PROTECTION

Recycle unwanted materials instead of disposing of them as waste. All tools, accessories and packaging should be sorted, taken to a recycling centre and disposed of in a manner which is compatible with the environment. When the product becomes completely unserviceable and requires disposal, drain any fluids (if applicable) into approved containers and dispose of the product and fluids according to local regulations.



### WEEE REGULATIONS

Dispose of this product at the end of its working life in compliance with the EU Directive on Waste Electrical and Electronic Equipment (WEEE). When the product is no longer required, it must be disposed of in an environmentally protective way. Contact your local solid waste authority for recycling information.

**Note:** It is our policy to continually improve products and as such we reserve the right to alter data, specifications and component parts without prior notice. Please note that other versions of this product are available. If you require documentation for alternative versions, please email or call our technical team on [technical@sealey.co.uk](mailto:technical@sealey.co.uk) or 01284 757505.

**Important:** No Liability is accepted for incorrect use of this product.

**Warranty:** Guarantee is 12 months from purchase date, proof of which is required for any claim.

**Jack Sealey Ltd t/a Sealey Group**, Kempson Way, Suffolk Business Park, Bury St Edmunds, Suffolk, IP32 7AR UK  
**Jack Sealey (EU) Ltd t/a Sealey Group**, Farney Street, Carrickmacross, Co. Monaghan, A81 PK68 Ireland  
**Tel:** 01284 757500 • **Email:** [sales@sealey.co.uk](mailto:sales@sealey.co.uk) • **Web:** [www.sealey.co.uk](http://www.sealey.co.uk)