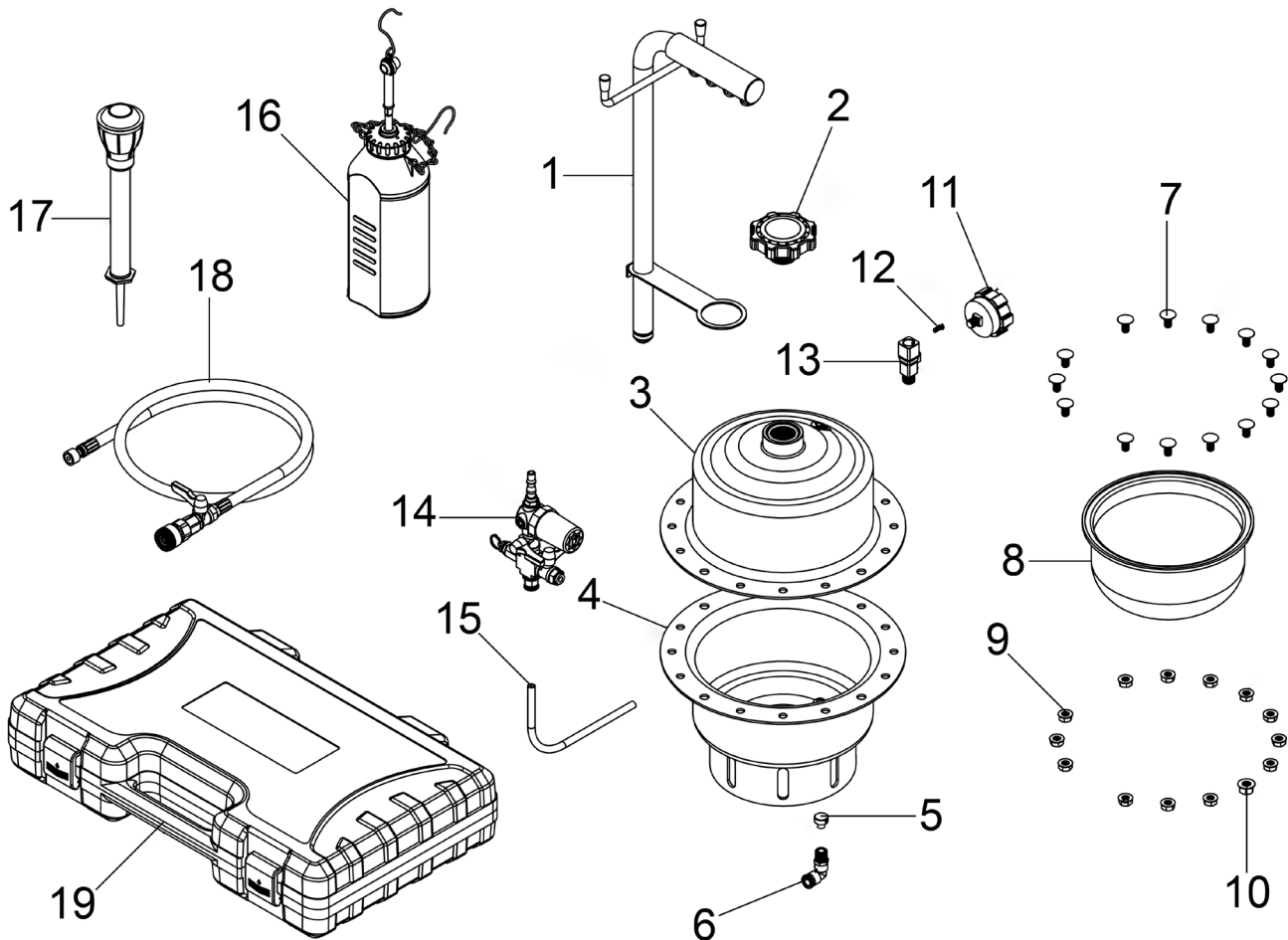




Parts Information:
**Pneumatic Brake & Clutch Pressure
 Bleeder Kit**
Model No: VS0204.V5



| Item | Part No. | Description |
|------|--------------|----------------------------------|
| 1 | VS0204.V4-01 | Handle Bar |
| 2 | VS0204.V4-02 | Tank Cap |
| 3 | VS0204.V4-03 | Tank, Upper |
| 4 | VS0204.V4-04 | Tank, Lower |
| 5 | VS0204.V4-05 | Plug |
| 6 | VS0204.V4-06 | Elbow |
| 7 | VS0204.V4-07 | Coach Bolt, Zinc 5/16" x 5/8"UNC |
| 8 | VS0204.V4-08 | Rubber Insert |
| 9 | FN516.UNC | Flange Nut, Serrated 5/16" UNC |
| 10 | FN38.UNC | Flange Nut Serrated 3/8" UNC |

| Item | Part No. | Description |
|------|--------------|--|
| 11 | VS820.V4-03 | Pressure Gauge |
| 12 | MSP46.S | Machine Screw Pan Head Phillips M4 x 6mm |
| 13 | VS0204.V4-13 | Connector |
| 14 | VS0204.V4-14 | Pressure Regulator Assembly |
| 15 | VS0204.V4-15 | Tube |
| 16 | VS0204.V4-16 | Fluid Bottle |
| 17 | VS0204.V4-17 | Syringe |
| 18 | VS0204.V4-18 | Oil Delivery Tube |
| 19 | VS0204.V4-19 | Blow Mould Case |

NOTE: It is our policy to continually improve products and as such we reserve the right to alter data, specifications and component parts without prior notice. There may be alternative versions of this product, please contact us should you require this information.

IMPORTANT: No liability is accepted for incorrect use of product. Spare parts must be fitted by a competent person

WARRANTY: Guarantee is 12 months from purchase date, proof of which will be required for any claim.

Sealey Group, Kempson Way, Suffolk Business Park, Bury St Edmunds, Suffolk. IP32 7AR



01284 757500



sales@sealey.co.uk



www.sealey.co.uk



| Item | Part No. | Description |
|------|--------------|--|
| 20 | VS0204.V4-20 | Adaptor Cap 1 |
| 21 | VS0204.V4-21 | Adaptor Cap 2 |
| 22 | VS0204.V4-22 | Adaptor Cap 3 |
| 23 | VS0204.V4-23 | Adaptor Cap 3 (90° Elbow) |
| 24 | VS820SA | Cap, Brake Reservoir (PLEASE SEE CATALOGUE) |
| 25 | VS0204.V4-25 | Adaptor Cap 7 (90° Elbow) |
| 26 | VS0204.V4-26 | Adaptor Cap 8 |
| 27 | VS0204.V4-27 | Adaptor Cap 9 |
| 28 | VS0204.V4-28 | Adaptor Cap 10 |

| Item | Part No. | Description |
|------|--------------|--------------------------------|
| 29 | VS0204.V5-36 | Adaptor Cap BC-41 (90°) |
| 30 | VS0204.V4-30 | Adaptor Cap 19 |
| 31 | VS0204.V4-31 | Adaptor Cap BC-21 (90° Elbow) |
| 32 | VS0204.V4-32 | Adaptors (c/w Tubes) |
| 33 | VS0204.V4-33 | Clamp Assembly |
| 34 | VS0204.V4-34 | Hook Bolt 140mm (85mm Thread) |
| 35 | VS0204.V4-35 | Chain |
| -- | VS820SA.01 | Metal Nut & Tubing (Not Shown) |
| -- | VS820SA.02 | Seal (Not Shown) |

NOTE: It is our policy to continually improve products and as such we reserve the right to alter data, specifications and component parts without prior notice. There may be alternative versions of this product, please contact us should you require this information.

IMPORTANT: No liability is accepted for incorrect use of product. Spare parts must be fitted by a competent person

WARRANTY: Guarantee is 12 months from purchase date, proof of which will be required for any claim.