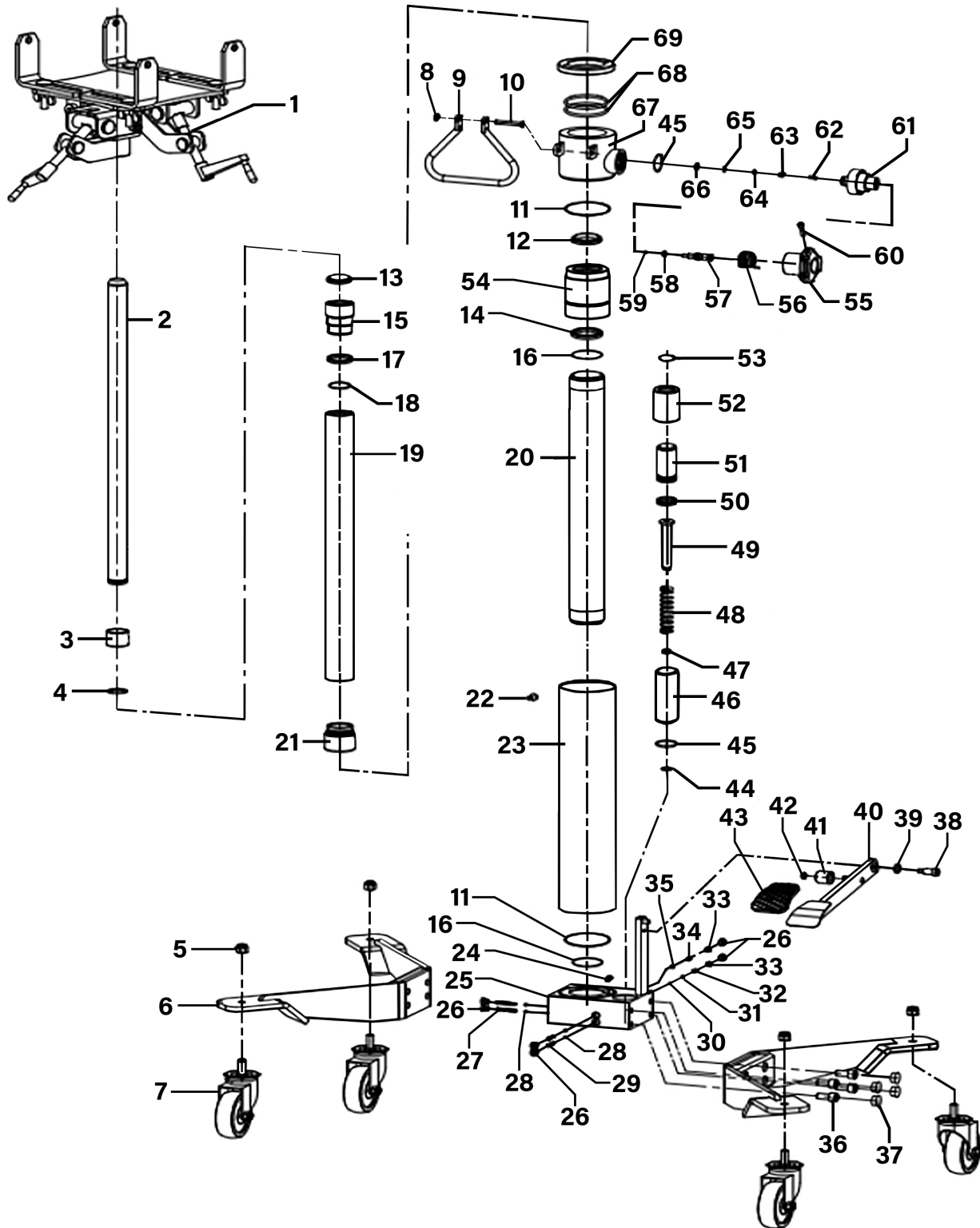




Parts Information:  
**Transmission Jack 600kg Telescopic Vertical**  
**Transmission Jack 1 Tonne Telescopic Vertical**  
**Model No: 500TTJ.V3 & 800TTJ.V2**



**NOTE:** It is our policy to continually improve products and as such we reserve the right to alter data, specifications and component parts without prior notice. There may be alternative versions of this product, please contact us should you require this information.

**IMPORTANT:** No liability is accepted for incorrect use of product. Spare parts must be fitted by a competent person

**WARRANTY:** Guarantee is 12 months from purchase date, proof of which will be required for any claim.

Sealey Group, Kempson Way, Suffolk Business Park, Bury St Edmunds, Suffolk. IP32 7AR



01284 757500



sales@sealey.co.uk



www.sealey.co.uk



Parts Information:  
**Transmission Jack 600kg Telescopic Vertical**  
**Transmission Jack 1 Tonne Telescopic Vertical**  
**Model No: 500TTJ.V3 & 800TTJ.V2**

Item	Part No.	Description	Qty
1	FUSN-Z91007	Adjustable Gearbox Support <b>(800TTJ.V2)</b>	1
1	FUSN-Z91008	Adjustable Gearbox Support <b>(500TTJ.V3)</b>	1
2	FUSN-L01C0056	Piston Rod <b>(800TTJ.V2)</b>	1
2	FUSN-L01C0080	Piston Rod <b>(500TTJ.V3)</b>	1
3	FUSN-L01C0057	Piston Rod Support Sleeve <b>(800TTJ.V2)</b>	1
3	FUSN-L01C0081	Piston Rod Support Sleeve <b>(500TTJ.V3)</b>	1
4	FUSN-L05010027	Spring Retainer <b>(800TTJ.V2)</b>	1
4	FUSN-L05010037	Spring Retainer <b>(500TTJ.V3)</b>	1
5	NLN12.S	Nyloc Nut M12 Zinc	4
6	FUSN-Z92004	Leg Assembly <b>(800TTJ.V2)</b>	2
6	FUSN-Z92005	Leg Assembly <b>(500TTJ.V3)</b>	2
7	FUSN-L06154	Wheel, Swivel Castor <b>(800TTJ.V2)</b>	4
7	FUSN-L06155	Wheel, Swivel Castor <b>(500TTJ.V3)</b>	4
8	FUSN-L05100015	E-Ring	1
9	FUSN-L01C0063	Handle	1
10	FUSN-L03100034	Handle Pin	1
11	FUSN-L02010102	O-Ring	2
12	FUSN-L02050030	Dust-Proof Ring <b>(800TTJ.V2)</b>	1
12	FUSN-L02050031	Dust-Proof Ring <b>(500TTJ.V3)</b>	1
13	FUSN-L02050027	Dust-Proof Ring <b>(800TTJ.V2)</b>	1
13	FUSN-L02050028	Dust-Proof Ring <b>(500TTJ.V3)</b>	1
14	FUSN-L02030019	UN Seal <b>(800TTJ.V2)</b>	1
14	FUSN-L02030020	UN Seal <b>(500TTJ.V3)</b>	1
15	FUSN-L01C0054	Piston Rod Guide Sleeve <b>(800TTJ.V2)</b>	1
15	FUSN-L01C0078	Piston Rod Guide Sleeve <b>(500TTJ.V3)</b>	1
16	FUSN-L02010100	O-Ring <b>(800TTJ.V2)</b>	2
16	FUSN-L02010103	O-Ring <b>(500TTJ.V3)</b>	2
17	FUSN-L02030016	UN Seal <b>(800TTJ.V2)</b>	1
17	FUSN-L02030017	UN Seal <b>(500TTJ.V3)</b>	1
18	FUSN-L02010101	O-Ring <b>(800TTJ.V2)</b>	1
18	FUSN-L02010104	O-Ring <b>(500TTJ.V3)</b>	1
19	FUSN-L01C0053	Inner Sleeve <b>(800TTJ.V2)</b>	1
19	FUSN-L01C0077	Inner Sleeve <b>(500TTJ.V3)</b>	1
20	FUSN-L01C0052	Outer Sleeve <b>(800TTJ.V2)</b>	1
20	FUSN-L01C0076	Outer Sleeve <b>(500TTJ.V3)</b>	1

Item	Part No.	Description	Qty
21	FUSN-L01C0055	Outer Sleeve Plug <b>(800TTJ.V2)</b>	1
21	FUSN-L01C0079	Outer Sleeve Plug <b>(500TTJ.V3)</b>	1
22	FUSN-SL0190032	Oil Filler Plug	1
23	FUSN-L01C0058	Oil Reservoir	1
24	FUSN-L20154	Filter	2
25	FUSN-L01C0050	Oil Drain Valve Base <b>(800TTJ.V2)</b>	1
25	FUSN-L01C0074	Oil Drain Valve Base <b>(500TTJ.V3)</b>	1
26	FUSN-L03010004	Oil Plug Screw (B)	6
27	FUSN-L05020016	Oil Plug Spring	2
28	SB-6.0	Steel Ball 6.0mm	4
29	FUSN-L05020115	Oil Plug Spring	2
30	SB-5.5	Steel Ball 5.5mm	1
31	FUSN-L0180012	Steel Ball Holder	1
32	FUSN-L05020059	Pressure Regulating Spring	1
33	FUSN-L03010063	Pressure Regulating Screw	2
34	FUSN-L05020076	Low Pressure Regulating Screw	1
35	FUSN-L0190157	Valve (Cone)	1
36	SCB1035.SB	Socket Cap Bolt M10 x 35mm Black	8
37	FUSN-L06158	Plug Cap	8
38	FUSN-L03010137	Shoulder Screw (Ø10 x 10 x M8)	1
39	FUSN-L03030036	Washer (Ø10 x Ø20 x 2mm)	1
40	FUSN-L01C0094	Foot Pedal Assembly	1
41	FUSN-L0180186	Bush for Foot Pedal	1
42	FUSN-L05100005	External Circlip	1
43	FUSN-L06143	Rubber Pad for Foot Pedal	1
44	FUSN-L02010091	O-Ring (Ø18.77 x 1.78mm)	1
45	FUSN-L02010092	O-Ring (Ø36.5 x 1.8mm)	1
46	FUSN-L01C0017	Plunger Bushing	1
47	FUSN-L02030014	Seal B3	1
48	FUSN-L05020106	Pump Return Spring (Large)	1
49	FUSN-L01C0018	Pump Plunger (Small)	1
50	FUSN-L02010065	X-Ring Seal (Ø29.82 x 2.62)	2
51	FUSN-L01C0019	Pump Plunger (Large)	1
52	FUSN-L06142	Dust-Proof Cover	1
53	FUSN-L05100013	External Circlip	1
54	FUSN-L01C0059	Cylinder Guide Sleeve (Inner) <b>(800TTJ.V2)</b>	1
54	FUSN-L01C0082	Cylinder Guide Sleeve (Inner) <b>(500TTJ.V3)</b>	1

**NOTE:** It is our policy to continually improve products and as such we reserve the right to alter data, specifications and component parts without prior notice. There may be alternative versions of this product, please contact us should you require this information.

**IMPORTANT:** No liability is accepted for incorrect use of product. Spare parts must be fitted by a competent person

**WARRANTY:** Guarantee is 12 months from purchase date, proof of which will be required for any claim.

Sealey Group, Kempson Way, Suffolk Business Park, Bury St Edmunds, Suffolk. IP32 7AR



01284 757500



sales@sealey.co.uk



www.sealey.co.uk

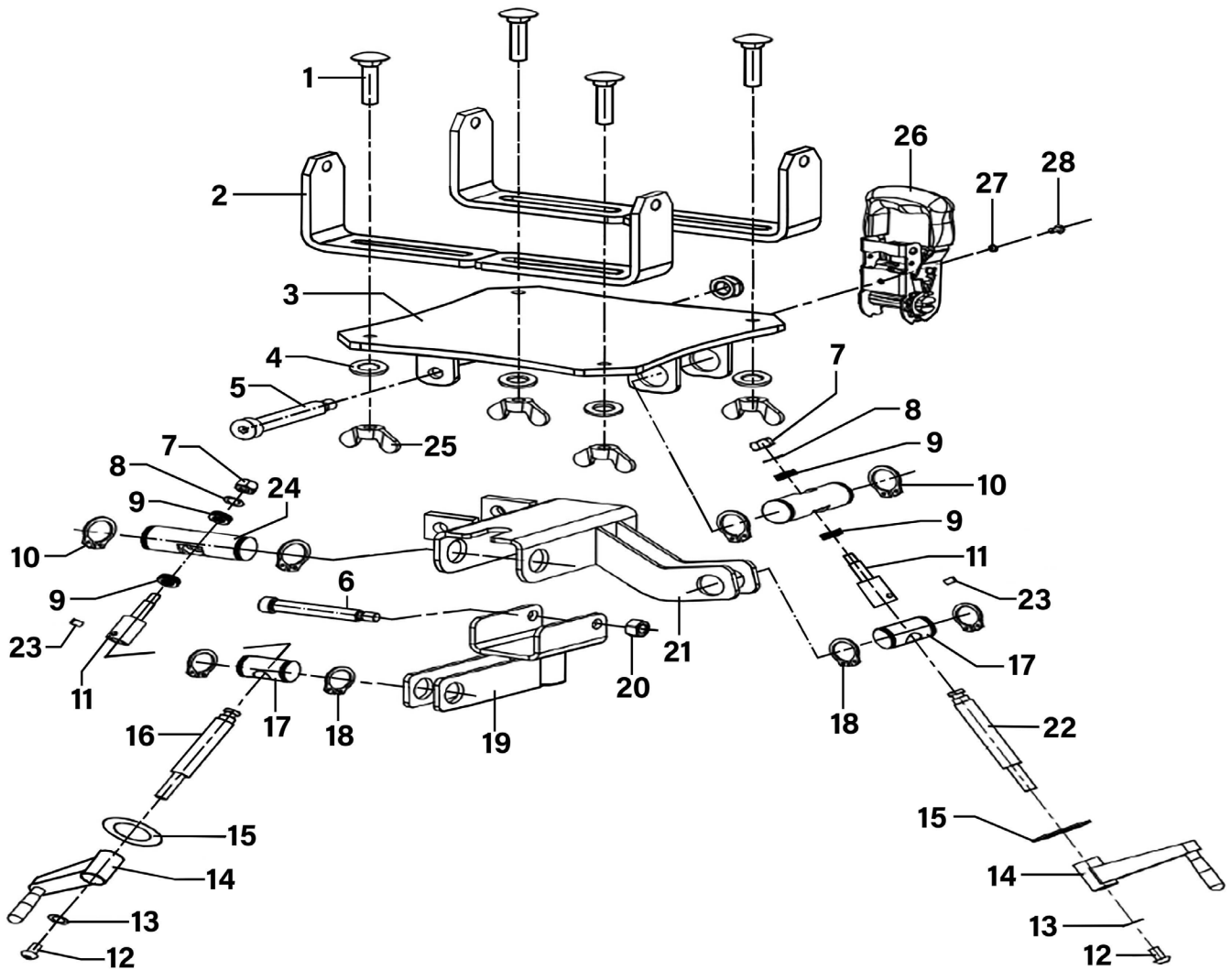


Parts Information:  
**Transmission Jack 600kg Telescopic Vertical**  
**Transmission Jack 1 Tonne Telescopic Vertical**  
**Model No: 500TTJ.V3 & 800TTJ.V2**

Item	Part No.	Description	Qty
55	FUSN-L06122	Release Knob	1
56	FUSN-L05020089	Torsion Spring	1
57	FUSN-L01C0087	Pressure Relief Rod	1
58	FUSN-L02010078	O-Ring (Ø9.75 x 1.78)	1
59	SB-6.4	Steel ball 6.4mm	1
60	FUSN-L03010094	Grub Screw	1
61	FUSN-L01C0086	Pressure Relief Seat	1
62	FUSN-L05020104	Pressure Relief Spring (Secondary)	1

Item	Part No.	Description	Qty
63	FUSN-L01C0015	Pressure Relief Seat (Secondary)	1
64	FUSN-L20106	Filter	1
65	FUSN-L05100021	External Circlip	1
66	FUSN-L02010080	O-Ring	1
67	FUSN-L01C0060	Pressure Relief Seat Assembly	1
68	FUSN-L02010033	O-Ring	2
69	FUSN-L01C0064	Pressure Relief Seat Cap	1

## SADDLE ASSEMBLY



**NOTE:** It is our policy to continually improve products and as such we reserve the right to alter data, specifications and component parts without prior notice. There may be alternative versions of this product, please contact us should you require this information.

**IMPORTANT:** No liability is accepted for incorrect use of product. Spare parts must be fitted by a competent person

**WARRANTY:** Guarantee is 12 months from purchase date, proof of which will be required for any claim.

Sealey Group, Kempson Way, Suffolk Business Park, Bury St Edmunds, Suffolk. IP32 7AR



01284 757500



sales@sealey.co.uk



www.sealey.co.uk



Parts Information:  
**Transmission Jack 600kg Telescopic Vertical**  
**Transmission Jack 1 Tonne Telescopic Vertical**  
**Model No: 500TTJ.V3 & 800TTJ.V2**

Item	Part No.	Description	Qty
1	CBN1235.S	Coach Bolt M12 x 35mm <b>(800TTJ.V2)</b>	4
1	FUSN-L03010151	Coach Bolt M10 x 25 <b>(500TTJ.V3)</b>	4
2	FUSN-L07T024	Support Plate <b>(800TTJ.V2)</b>	4
2	FUSN-L07T043	Support Plate <b>(500TTJ.V3)</b>	4
3	FUSN-L07T013	Top Saddle Plate <b>(800TTJ.V2)</b>	1
3	FUSN-L07T032	Top Saddle Plate <b>(500TTJ.V3)</b>	1
4	FWM12.S	Flat Washer M12 Zinc <b>(800TTJ.V2)</b>	4
4	FUSN-L03030036	Washer (Ø10 x Ø20 x 2mm) <b>(500TTJ.V3)</b>	4
5	FUSN-L03010149	Shoulder Screw Ø12 x 110 - M10 <b>(800TTJ.V2)</b>	1
5	FUSN-L03010153	Shoulder Screw Ø10 x 110 - M8 <b>(500TTJ.V3)</b>	1
6	FUSN-L03010148	Shoulder Screw Ø12 x 80 - M10 <b>(800TTJ.V2)</b>	1
6	FUSN-L03010152	Shoulder Screw Ø10 x 80 - M8 <b>(500TTJ.V3)</b>	1
7	NLN8.S	Nyloc Nut M8 Zinc	2
8	FWM8.S	Flat Washer M8 Zinc	2
9	FUSN-L20184	Deep Groove Ball Bearing	4
10	FUSN-L05100012	External Circlip Ø28	4
11	FUSN-L01C0090	Screw Limit Shaft	2
12	MSP816.S	Machine Screw Pan Head Phillips M8 x 16mm	2

Item	Part No.	Description	Qty
13	SWM8.S	Spring Washer M8 Zinc	2
14	FUSN-L06157	Hand Grip	2
15	FUSN-L03030043	Large Flat Washer Ø10 x Ø30	2
16	FUSN-L01C0092	Pin for Handle Grip (A)	1
17	FUSN-L01C0067	Threaded Shaft	2
18	FUSN-L05100010	Shaft Clamp Ring	4
19	FUSN-L07T021	Lower Support Bracket Assembly <b>(800TTJ.V2)</b>	1
19	FUSN-L07T039	Lower Support Bracket Assembly <b>(500TTJ.V3)</b>	1
20	NLN10.S	Nyloc Nut M10 Zinc <b>(800TTJ.V2)</b>	2
20	NLN8.S	Nyloc Nut M8 Zinc (500TTJ.V3)	2
21	FUSN-L07T017	Upper Support Bracket Assembly <b>(800TTJ.V2)</b>	1
21	FUSN-L07T035	Upper Support Bracket Assembly <b>(500TTJ.V3)</b>	1
22	FUSN-L01C0091	Pin for Handle Grip (B)	1
23	GSM66.S	Grub screw m6x6 (single)	2
24	FUSN-L01C0066	Anchor Shaft	2
25	SN12.SW	Wing Nut M12 Zinc	4
26	FUSN-L20185	Ratchet Strap	1
27	SWM5.S	Spring Washer M5 Zinc	1
28	MSP510.S	Machine Screw Pan Head Phillips M5 x10mm	1

**NOTE:** It is our policy to continually improve products and as such we reserve the right to alter data, specifications and component parts without prior notice. There may be alternative versions of this product, please contact us should you require this information.

**IMPORTANT:** No liability is accepted for incorrect use of product. Spare parts must be fitted by a competent person

**WARRANTY:** Guarantee is 12 months from purchase date, proof of which will be required for any claim.

Sealey Group, Kempson Way, Suffolk Business Park, Bury St Edmunds, Suffolk. IP32 7AR



01284 757500



sales@sealey.co.uk



www.sealey.co.uk