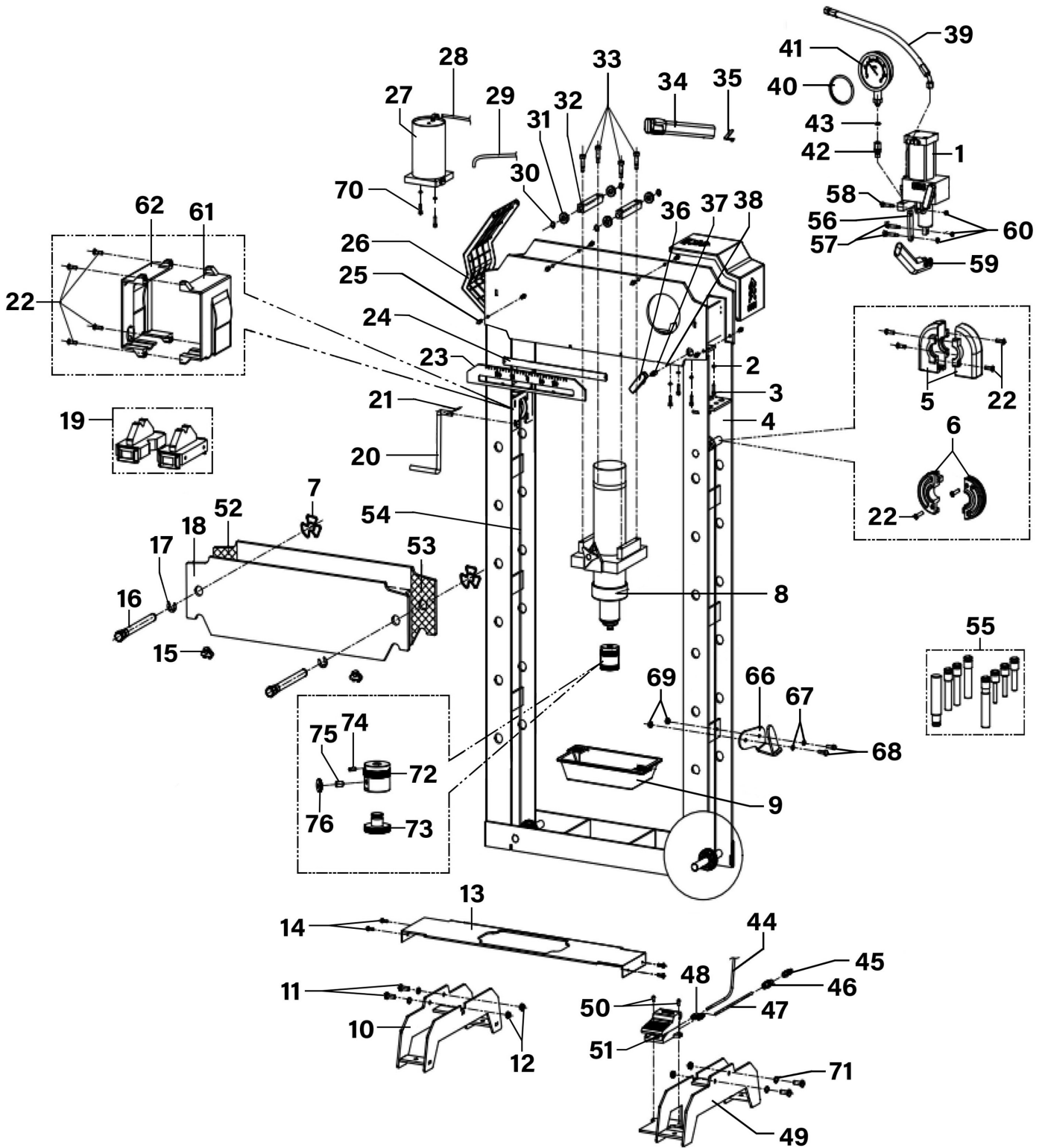


Parts Information:  
**Viking Floor Type Air/Hydraulic Press with Sliding Ram and Foot Pedal 50 Tonne**  
**Model No: PPF501S**



**NOTE:** It is our policy to continually improve products and as such we reserve the right to alter data, specifications and component parts without prior notice. There may be alternative versions of this product, please contact us should you require this information.

**IMPORTANT:** No liability is accepted for incorrect use of product. Spare parts must be fitted by a competent person

**WARRANTY:** Guarantee is 12 months from purchase date, proof of which will be required for any claim.

Jack Sealey Ltd t/a Sealey Group, Kempson Way, Suffolk Business Park, Bury St Edmunds, Suffolk, IP32 7AR UK

Jack Sealey (EU) Ltd t/a Sealey Group, Farney Street, Carrickmacross, Co. Monaghan, A81 PK68 Ireland

Tel: 01284 757500 • Email: sales@sealey.co.uk • Web: www.sealey.co.uk



Parts Information:  
**Viking Floor Type Air/Hydraulic Press with  
 Sliding Ram and Foot Pedal 50 Tonne  
 Model No: PPF501S**

Item	Part No.	Description
1	FUSN-ZG0004	Oil Pump Assembly
2	SWM6.S	Spring Washer M6 Zinc
3	SS620.S	Hex Head Set Screw M6 x 20mm Zinc
4	FUSN-ZE0005	Frame Assembly
5	FUSN-L06115	Pulley Protection Cover Assembly (A)
6	FUSN-L0190042	Pulley
7	FUSN-L06086	Frame Pin Ring
8	FUSN-ZF0014	Ram Cylinder Assembly
9	FUSN-L06085	Parts Tray
10	FUSN-ZE2003	Foot Assembly
11	SS1025.S	Hex Head Set Screw M10 x 25mm Zinc
12	NLN10.S	Nyloc Nut M10 Zinc
13	FUSN-L07Y109	Protection Plate Cover
14	SS616.S	Hex Head Set Screw M6 x 16mm Zinc
15	FUSN-L20085	Wire Rope Cable Lock
16	FUSN-L0190219	Bed Frame Pin
17	FUSN-L05100020	E-Clip
18	FUSN-ZE1004	Bed Frame Assembly
19	FUSN-L0190109	V-Block Assembly
20	FUSN-L0190068	Winch Handle
21	FUSN-L03100022	Pin for Winch Handle
22	FUSN-L03010009	Protection Cover Screw M4 x 12mm
23	FUSN-L06127	Scale Plate
24	FUSN-L07Y078	Scale Plate Support
25	FUSN-L06078	Plastic Plug
26	FUSN-L06087	Side Cover
27	FUSN-ZH0001	Oil Tank Assembly
28	FUSN-L20026D	PU Air Hose (Ø6 x Ø1 x 670mm)
29	FUSN-L20097B	Nylon Hose (Ø8 x 1 x 700mm)
30	FUSN-L05100005	External Circlip
31	B/6001ZZ	Bearing 6001ZZ
32	FUSN-L0190131	Connecting Rod
33	FUSN-L03010092	Shoulder Screw (Ø10 x 35 x M8)
34	FUSN-L0190058	Handle Assembly
35	FUSN-L03100015	V-Spring
36	FUSN-L06076	Pressure Release Knob (Female)
37	FUSN-L0190057	Pressure Release Rod (B)
38	FUSN-L03100021	Spring Pin Ø4 x 14mm
39	FUSN-L20092	Oil Hose Assembly
40	FUSN-L06083	Gauge Protection Ring
41	FUSN-L10003	Pressure Gauge, 55T - 700kg/cm <sup>2</sup> Ø110mm Bottom Fixing

Item	Part No.	Description
42	FUSN-L09002	Pressure Gauge Connector
43	FUSN-L02020029	Seal for Pressure Gauge, White Plastic (Ø5.7 x 8 x 1.5mm)
44	FUSN-L20026F	PU Air Hose (Ø6 x Ø1 x 1920mm)
45	FUSN-L04033	Air Inlet Connector (Euro)
46	FUSN-L04048	Quick Union
47	FUSN-L20026B	PU Air Hose (Ø6 x Ø1 x 260mm)
48	FUSN-L04049	Quick Connector (Straight)
49	FUSN-ZE2004	Foot Assembly
50	SCB612.SB	Socket Cap Bolt M6 x 12mm Black
51	FUSN-L20096	Foot Pedal Valve
52	FUSN-L20089	Bed Frame Protection Plate (Right)
53	FUSN-L20090	Bed Frame Protection Plate (Left)
54	FUSN-L20091B	Wire Rope Cable Ø4 x 4900mm
55	FUSN-L0190029	Press Pin (2T)
55	FUSN-L0190026	Press Pin (3T)
55	FUSN-L0190025	Press Pin (6T)
55	FUSN-L0190024	Press Pin (8T)
55	FUSN-L0190023	Press Pin (10T)
55	FUSN-L0190022	Press Pin (12T)
55	FUSN-L0190021	Press Pin (13T)
55	FUSN-L0190020	Press Pin (15T)
56	FUSN-L07Y106	Pump Connecting Rod
57	FUSN-L03010077	Shoulder Screw (Ø8 x 30 x M6)
58	FUSN-L03010078	Shoulder Screw (Ø8 x 25 x M6)
59	FUSN-L0190059	Pump Handle Assembly
60	NLN6.S	Nyloc Nut M6
61	FUSN-L06114	Winch Protection Cover (B)
62	FUSN-L06113	Winch Protection Cover (A)
66	FUSN-L0190222	Handle Support Plate
67	SWM8.S	Spring Washer M8 Zinc
68	SS820.S	Hex Head Set Screw M8 x 20mm Zinc
69	SN8.S	Steel Nut M8 Zinc
70	MSP612.S	Machine Screw Pan Head Phillips M6 x 12mm
71	SWM10.S	Spring Washer M10 Zinc
72	FUSN-L0190108	Saddle
73	FUSN-L0190107	Top Cover for Saddle
74	FUSN-L03010055	Headless Screw M8 x 10mm
75	FUSN-L03010089	Machine Screw Pan Head Phillips M10 x 25mm
76	FUSN-L03020017	Knurl Nut M10 x 6mm
--	FUSN-L06072	Handle Grip (Not Shown)
--	FUSN-L06074	Bed Frame Pin Rubber Sleeve (Not Shown)

**NOTE:** It is our policy to continually improve products and as such we reserve the right to alter data, specifications and component parts without prior notice. There may be alternative versions of this product, please contact us should you require this information.

**IMPORTANT:** No liability is accepted for incorrect use of product. Spare parts must be fitted by a competent person

**WARRANTY:** Guarantee is 12 months from purchase date, proof of which will be required for any claim.

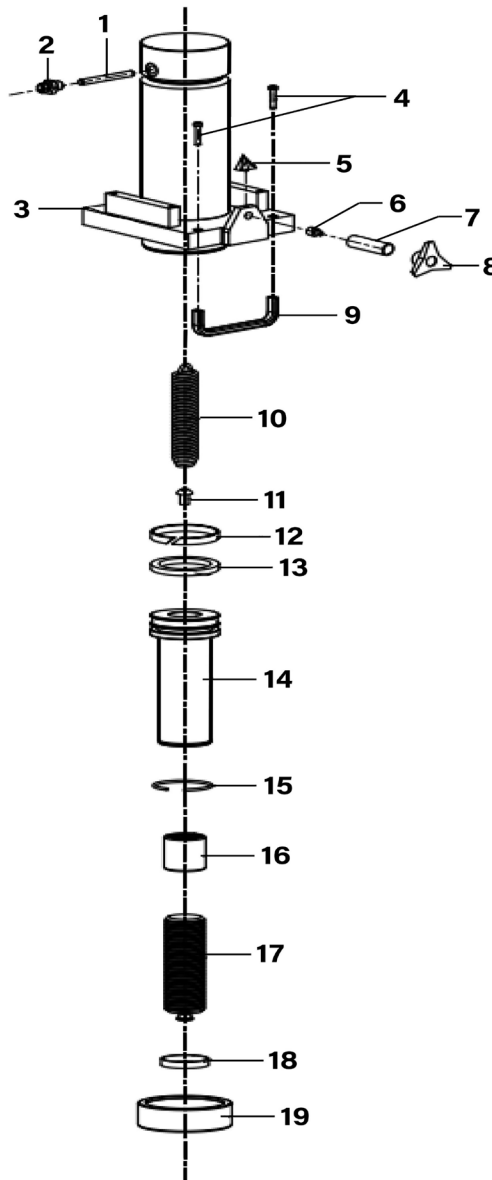
**Jack Sealey Ltd t/a Sealey Group, Kempson Way, Suffolk Business Park, Bury St Edmunds, Suffolk, IP32 7AR UK**

**Jack Sealey (EU) Ltd t/a Sealey Group, Farney Street, Carrickmacross, Co. Monaghan, A81 PK68 Ireland**

**Tel: 01284 757500 · Email: sales@sealey.co.uk · Web: www.sealey.co.uk**



Parts Information:  
**Viking Floor Type Air/Hydraulic Press with Sliding Ram and Foot Pedal 50 Tonne**  
**Model No: PPF501S**



Item	Part No.	Description
1	FUSN-L03010027	Inner Hex Screw M6 x 40mm
2	FUSN-L09003	Oil Hose Connector
3	FUSN-L0190232	Outer Sleeve Assembly
4	SCB630.SB	Socket Cap Bolt M6 x 30mm Black
5	FUSN-L06092	Pointer
6	FUSN-L0190085	Handle Knob Saddle
7	FUSN-L03010091	Locking Knob Stud M12 x 35mm
8	FUSN-L03010086	Locking Knob
9	FUSN-L20093	Handle for Ram Cylinder Upper Plate
10	FUSN-L05020095	Spring
11	FUSN-L03010015	Machine Screw Pan Head Phillips M12 x 20mm

Item	Part No.	Description
12	FUSN-L02040002	Guide Ring
13	FUSN-L02060035	Stepped Seal
14	FUSN-L0190096	Piston Assembly
15	FUSN-L05010033	Spring Locking Ring (Ø2mm x OD. 67mm)
16	FUSN-L0190099	Connector
17	FUSN-L0190100	Arbor
18	FUSN-L02040102	Guide Ring
19	FUSN-L0190101	Outer Cylinder Sleeve
--	PPF501S-RSK	Seal Kit for Ram Cylinder Assembly (Not Shown)

**NOTE:** It is our policy to continually improve products and as such we reserve the right to alter data, specifications and component parts without prior notice. There may be alternative versions of this product, please contact us should you require this information.

**IMPORTANT:** No liability is accepted for incorrect use of product. Spare parts must be fitted by a competent person

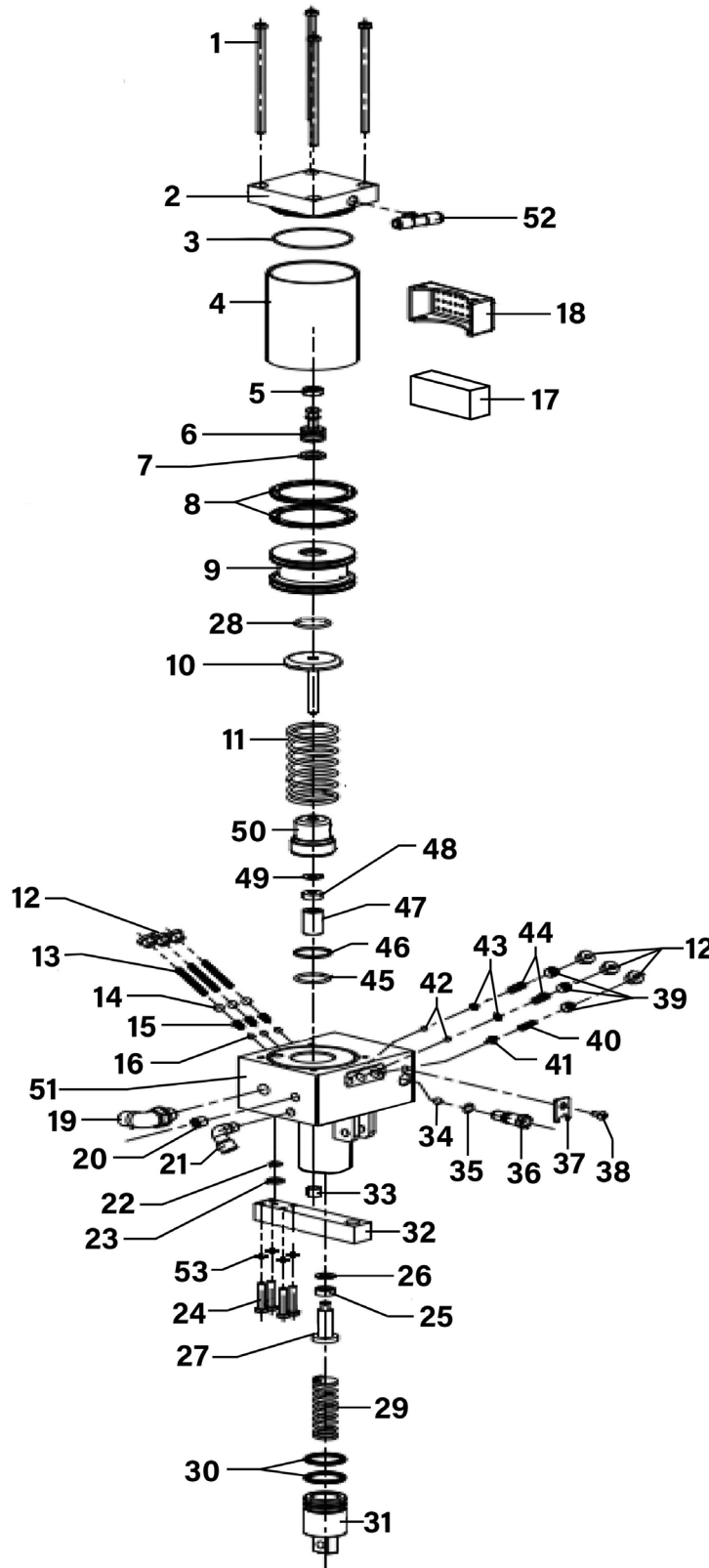
**WARRANTY:** Guarantee is 12 months from purchase date, proof of which will be required for any claim.

Jack Sealey Ltd t/a Sealey Group, Kempson Way, Suffolk Business Park, Bury St Edmunds, Suffolk, IP32 7AR UK

Jack Sealey (EU) Ltd t/a Sealey Group, Farney Street, Carrickmacross, Co. Monaghan, A81 PK68 Ireland

Tel: 01284 757500 · Email: sales@sealey.co.uk · Web: www.sealey.co.uk

Parts Information:  
**Viking Floor Type Air/Hydraulic Press with  
 Sliding Ram and Foot Pedal 50 Tonne  
 Model No: PPF501S**



**NOTE:** It is our policy to continually improve products and as such we reserve the right to alter data, specifications and component parts without prior notice. There may be alternative versions of this product, please contact us should you require this information.

**IMPORTANT:** No liability is accepted for incorrect use of product. Spare parts must be fitted by a competent person

**WARRANTY:** Guarantee is 12 months from purchase date, proof of which will be required for any claim.



Parts Information:  
**Viking Floor Type Air/Hydraulic Press with  
 Sliding Ram and Foot Pedal 50 Tonne  
 Model No: PPF501S**

Item	Part No.	Description
1	FUSN-L03010019	Socket Cap Bolt M6 x 125mm
2	FUSN-L0190125	Air Inlet Valve Seat
3	GSA6005.21	O-Ring (69.96 x 66.40 x 1.78mm)
4	FUSN-L0190206	Air Cylinder Sleeve
5	FUSN-L02100001	Rubber Stop
6	FUSN-L011M006	Piston (Small)
7	FUSN-L02030003	Seal Z8
8	FUSN-L02100006	OA Seal
9	FUSN-L011M013	Air Cylinder Piston
10	FUSN-Z17005	Plunger Rod Assembly
11	FUSN-L05020008	Plunger Rod Spring
12	FUSN-L03010004	Oil Plug Screw (B)
13	FUSN-L05020057	Spring
14	SB-8.0	Steel Ball 8.0mm
15	FUSN-L05020009	Taper Spring
16	SB-6.0	Steel Ball 6.0mm
17	FUSN-L20083	Foam Silencer
18	FUSN-L06117	Exhaust Hood Cover
19	FUSN-L09001	Oil Hose Joint Elbow
20	FUSN-L03010039	Oil Plug Screw (C)
21	FUSN-L04005	Elbow
22	FUSN-L02020002	Locking Ring (11 x 14 x 1.35mm)
23	GSA08.09-4	O-Ring (11.21 x 7.65 x 1.78mm)
24	SCB530.SB	Socket Cap Bolt M5 x 30mm Black
28	FUSN-L02020028	Locking O-ring (Ø8 x 12 x 5mm)
26	FUSN-L02030013	Seal B3
27	FUSN-L0190123	Pump Plunger (Small)
28	YAJ1530V2.72	O-Ring (30.31 x 25.07 x 2.62mm)

Item	Part No.	Description
29	FUSN-L05020061	Spring
30	RE97XM02.19	O-Ring (35.06 x 29.82 x 2.62mm)
31	FUSN-L0190122	Pump Plunger (Large)
32	FUSN-L0190133	Gauge Support Block
33	GSM66.S	Grub Screw M6 x 6mm
34	SB-7.2	Steel Ball 7.2mm
35	SA57.32	O-ring (12.29 x 8.73 x 1.78mm)
36	FUSN-L0190156	Pressure Release Rod
37	FUSN-L07Y184	Pressure Release Limit Plate
38	MSP58.SB	Machine Screw Pan Head Phillips M5 x 8mm Black
39	FUSN-L03010063	Pressure Regulating Screw
40	FUSN-L05020076	Low Pressure Regulating Screw
41	FUSN-L0190157	Valve (Cone)
42	SB-5.0	Steel Ball 5.0mm
43	FUSN-L0180012	Steel Ball Holder
44	FUSN-L05020059	Pressure Regulating Spring
45	PBJ2S-04	O-Ring (28.71 x 23.47 x 2.62mm)
46	FUSN-L02020014	Locking Ring (28 x 30.4 x 2.2mm)
47	FUSN-L0190155	Guide Sleeve
48	FUSN-L02030015	Seal B3
49	FUSN-L02020033	Locking Ring (17.1 x 7.1 x 2mm)
50	FUSN-L0190154	Piston
51	FUSN-L0190127	Manifold Block Assembly
52	FUSN-L04013	T- Piece
53	SWM5.S	Spring Washer M5 Zinc
--	PPF501S-PSK	Seal Kit for Pump Assembly (Not Shown)

**NOTE:** It is our policy to continually improve products and as such we reserve the right to alter data, specifications and component parts without prior notice. There may be alternative versions of this product, please contact us should you require this information.

**IMPORTANT:** No liability is accepted for incorrect use of product. Spare parts must be fitted by a competent person

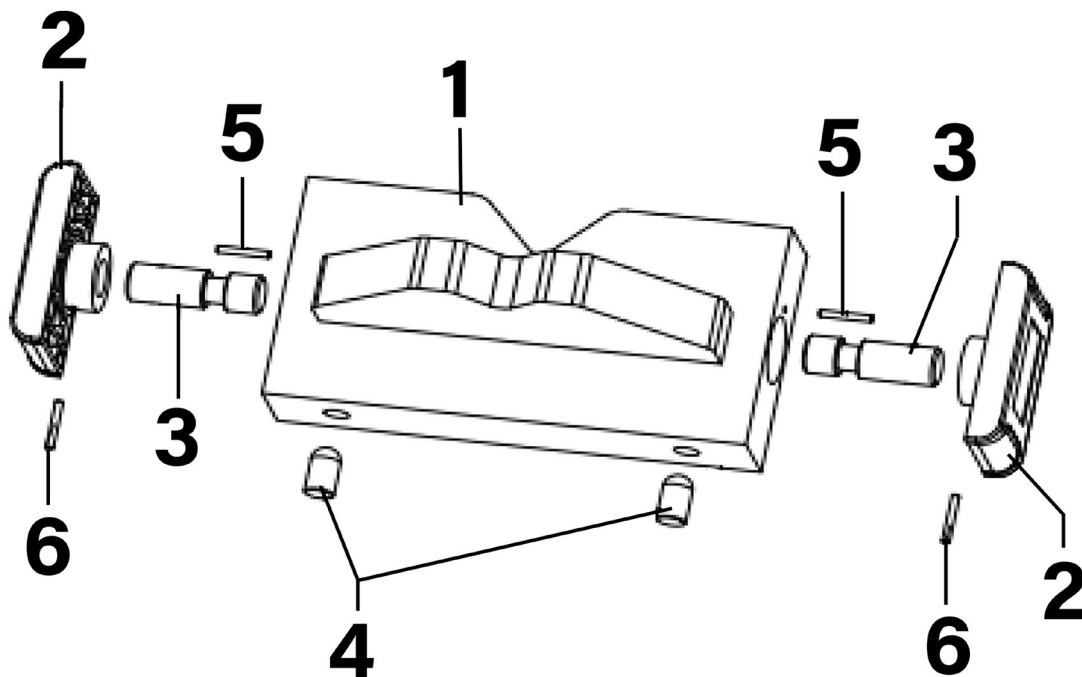
**WARRANTY:** Guarantee is 12 months from purchase date, proof of which will be required for any claim.

**Jack Sealey Ltd t/a Sealey Group, Kempson Way, Suffolk Business Park, Bury St Edmunds, Suffolk, IP32 7AR UK**

**Jack Sealey (EU) Ltd t/a Sealey Group, Farney Street, Carrickmacross, Co. Monaghan, A81 PK68 Ireland**

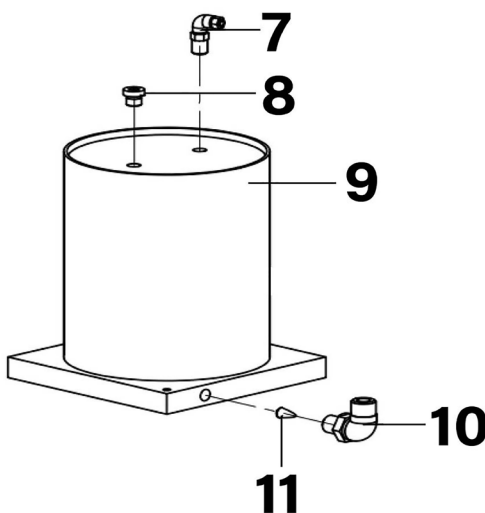
**Tel: 01284 757500 · Email: sales@sealey.co.uk · Web: www.sealey.co.uk**

Parts Information:  
**Viking Floor Type Air/Hydraulic Press with Sliding Ram and Foot Pedal 50 Tonne**  
**Model No: PPF501S**



Item	Part No.	Description
1	FUSN-L0190109S	V-Block
2	FUSN-L06091	V-Block End Cover (50 Tonne)
3	FUSN-L0190118	Rotating Shaft for V-Block End Cover

Item	Part No.	Description
4	FUSN-L03010090	Grub Screw M10 x 16mm
5	FUSN-L03100017	Spring Pin Ø2.5 x 16mm
6	FUSN-L0190114	Spring Pin Ø2.5 x 25mm



Item	Part No.	Description
7	FUSN-L04014	Elbow
8	FUSN-L03010003	Plug Screw
9	FUSN-ZH0001	Oil Tank Assembly

Item	Part No.	Description
10	FUSN-L04005	Elbow
11	FUSN-L20154	Filter

**NOTE:** It is our policy to continually improve products and as such we reserve the right to alter data, specifications and component parts without prior notice. There may be alternative versions of this product, please contact us should you require this information.

**IMPORTANT:** No liability is accepted for incorrect use of product. Spare parts must be fitted by a competent person

**WARRANTY:** Guarantee is 12 months from purchase date, proof of which will be required for any claim.