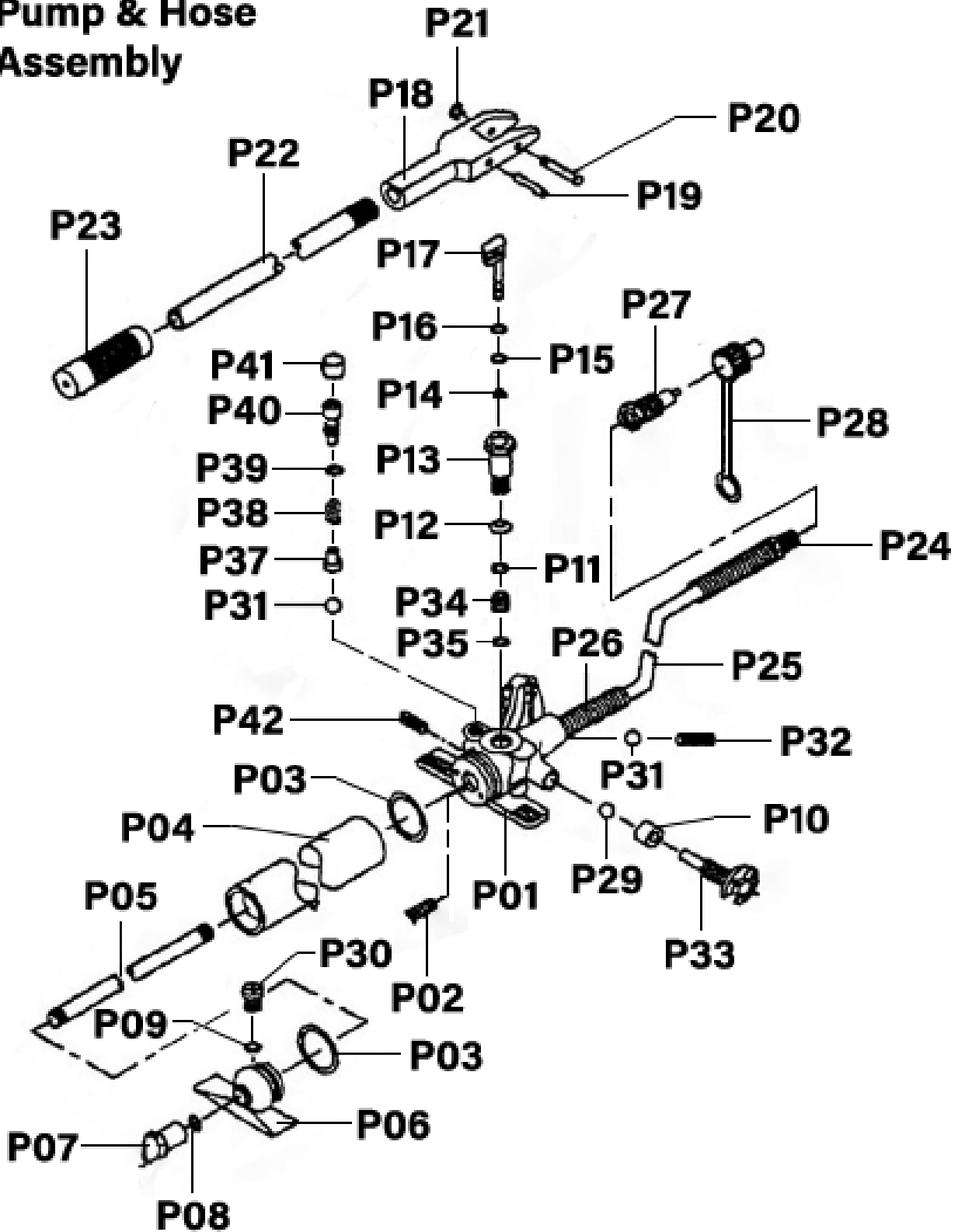


Pump & Hose Assembly



NOTE: It is our policy to continually improve products and as such we reserve the right to alter data, specifications and component parts without prior notice. There may be alternative versions of this product, please contact us should you require this information.

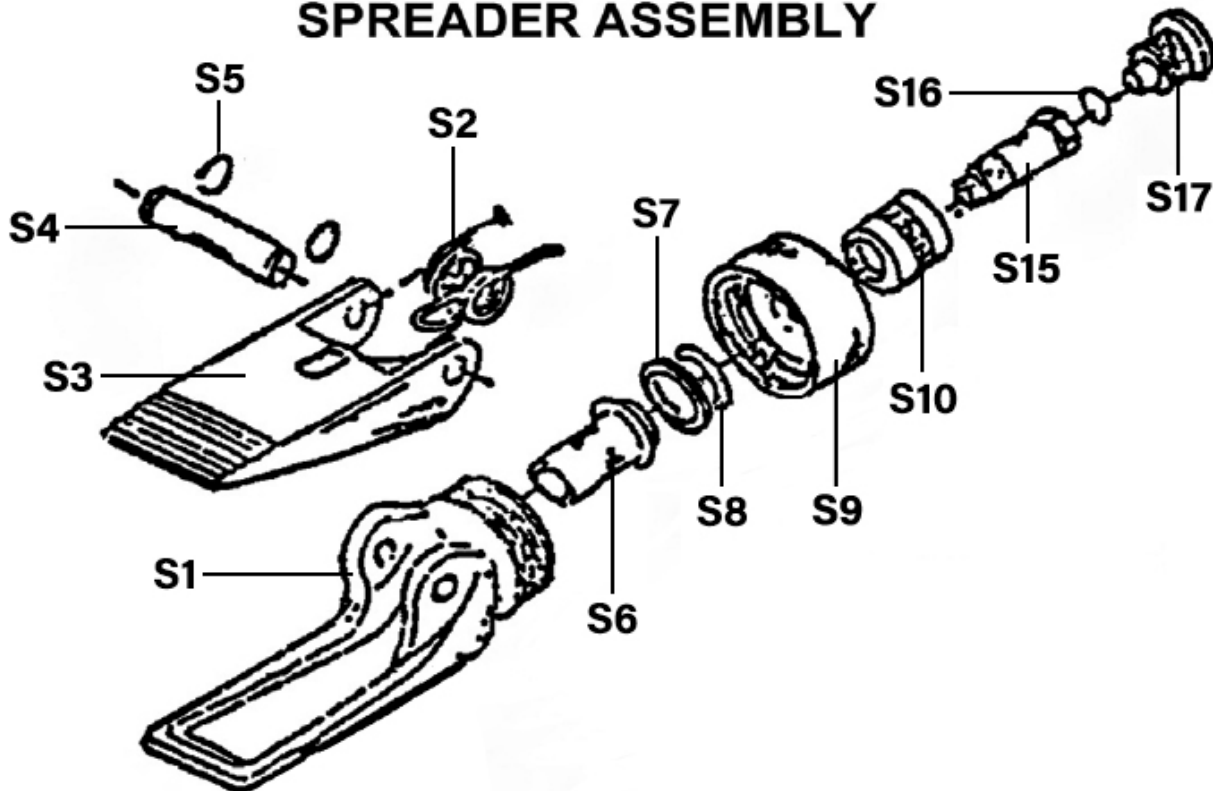
IMPORTANT: No liability is accepted for incorrect use of product. Spare parts must be fitted by a competent person

WARRANTY: Guarantee is 12 months from purchase date, proof of which will be required for any claim.

Item	Part No.	Description
P01	610/PJ01	Pump Housing
P02	610/PJ02	Filter
P03	610/PJ03	O-Ring, (Ex: 51.57 In: 45.17 Cs: 3.20)
P04	610/PJ04	Pump Reservoir
P05	610/PJ05	Screw
P06	610/PJ06	Pump Foot
P07	610/PJ07	Retaining Cap (M12 Int. Thread)
P08	610/PJ08	O-Ring, (Ex: 20.34 In: 15.50 Cs: 2.42)
P09	SA316.10	O-Ring, (Ex: 12.83 In: 7.59 Cs: 2.62)
P10	610/PJ10	Spacer
P11	610/PJ11	O-Ring, (Ex: 25.72 In: 18.66 Cs: 3.53)
P12	610/PJ12	Washer-Dished M20x30
P13	610/PJ13	Cylinder
P14	610/PJ14	Filter Ring
P15	610/PJ15	O-Ring, (Ex: 12.49 In: 6.72 Cs: 3.39)
P16	610/PJ16	Washer (Split Nylon)M7
P17	610/PJ17	Plunger
P18	610/PJ18	Pump Pivot Brm Arm
P19	610/PJ19	Pivot Arm Pin
P20	610/PJ20	Pivot Arm Pin
P21	DAS150TV5-11	External Circlip 9.3mm ID.

Item	Part No.	Description
P22	610/PJ22	Pump Handle
P23	610/PJ23	Grip, Rubber Sleeve
P24	610/PJ24	Oil Fitting
P25	610/PJ25	Hose
P26	610/PJ26	Spring
P27	610/PJ27	Coupling
P28	610/PJ28	Dust Cap
P29	SB-4.7	Steel Ball 4.7mm
P30	610/PJ30	Screw
P31	SB-5.0	Steel Ball 5.0mm
P32	610/PJ32	Spring Conical
P33	610/PJ33	Stem, Release Valve
P34	610/PJ34	Valve
P35	610/PJ35	Washer M8
P37	610/PJ37	Stem
P38	610/PJ38	Spring Dia 7.8mm
P39	610/PJ39	O-Ring, (Ex: 11.94 In: 6.20 Cs: 2.87)
P40	610/PJ40	Screw
P41	610/PJ41	Cap
P42	610.PJ42	Screw (Safety Valve)
--	610/PJ27-28	Coupling & End Cap (Not Shown)

SPREADER ASSEMBLY



NOTE: It is our policy to continually improve products and as such we reserve the right to alter data, specifications and component parts without prior notice. There may be alternative versions of this product, please contact us should you require this information.

IMPORTANT: No liability is accepted for incorrect use of product. Spare parts must be fitted by a competent person

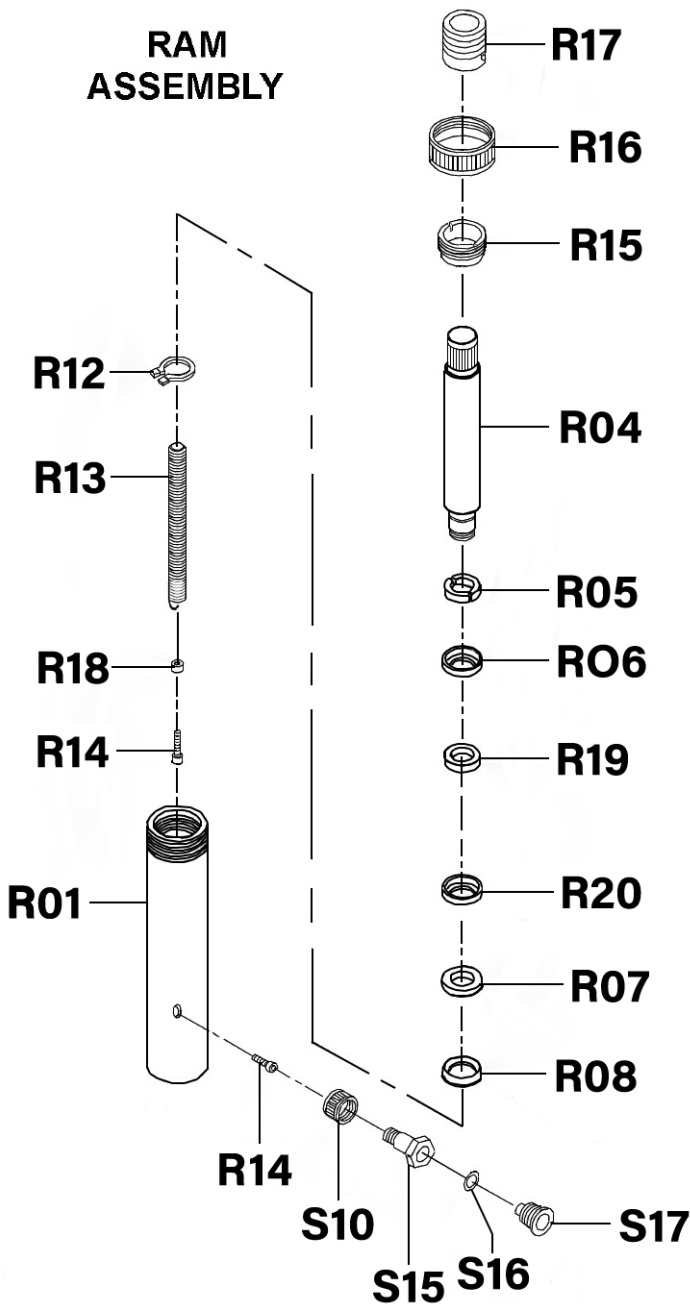
WARRANTY: Guarantee is 12 months from purchase date, proof of which will be required for any claim.



Parts Information:
Hydraulic Body Repair Kit 10 Tonne Viking SuperSnap® Type
Model No: RE83/10.V3

Item	Part No.	Description
S01	610/SJ01	Lower Duck Bill
S02	610/SJ02	Spring Dia 20.5
S03	610/SJ03	Upper Duck Bill
S04	610/SJ04	Pivoting Pin
S05	AK467DXP.24	External Circlip 11.0mm ID
S06	610/SJ06	Piston
S07	610/SJ07	Cup Seal

Item	Part No.	Description
S08	610/SJ08	Rubber Washer M22 x M32
S09	610/SJ09	End Cap
S10	610/SJ10	Coupling Ring
S15	610/SJ15	Bolt m13x25
S16	610/SJ16	O-Ring, (Ex: 15.52 In: 9.76 Cs: 2.88)
S17	610/SJ17	Dust Cap



Item	Part No.	Description
R01	610.RJ01MA	Cylinder
R04	610.RJ04B	Ram
R05	610/RJ05	Half Bush
R06	610/RJ06	Bushing
R07	610.RJ07B	Cap (Ferrule)
R08	610.RJ08B	Y' seal
R12	610.RJ12B	Snap Ring
R13	610/RJ13	Spring Dia 19mm
R14	610/RJ14	Screw Set (M6x30 & M6x20 Socket Head)
R15	610/RJ15	Ring
R16	610/RJ16	Protecting Cap
R17	610.RJ17N	Protecting Cap
R18	610/RJ18	Bushing
R19	610.RJ19B	Bearing
R20	610.RJ20B	Bearing
S10	610/SJ10	Coupling Ring
S15	610.SJ15A	Clamping Bolt
S16	610/SJ16	O-Ring, (Ex: 15.52 In: 9.76 Cs: 2.88)
S17	610/SJ17	Dust Cap
--	610.41-RK	Repair Kit for Push Ram (Not Shown)

NOTE: It is our policy to continually improve products and as such we reserve the right to alter data, specifications and component parts without prior notice. There may be alternative versions of this product, please contact us should you require this information.

IMPORTANT: No liability is accepted for incorrect use of product. Spare parts must be fitted by a competent person

WARRANTY: Guarantee is 12 months from purchase date, proof of which will be required for any claim.

Sealey Group, Kempson Way, Suffolk Business Park, Bury St Edmunds, Suffolk. IP32 7AR



01284 757500



sales@sealey.co.uk



www.sealey.co.uk